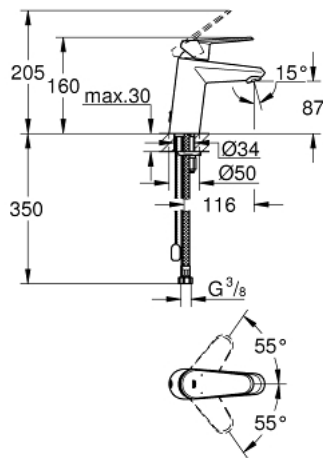


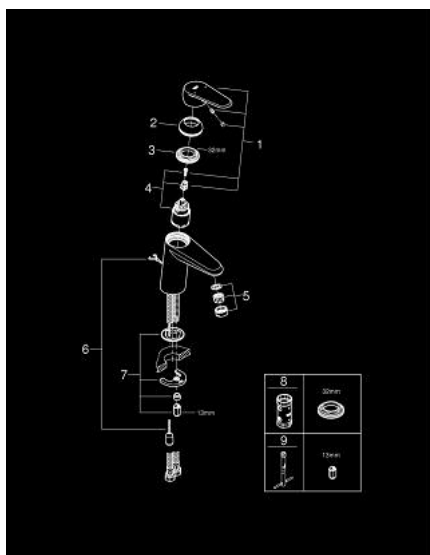
33 178 20E **EURODISC COSMOPOLITAN BASIN MIXER 1/2"**  
**S-SIZE**



**PRODUCT DESCRIPTION**

- Tyc: Chrome
- single hole installation
- metal lever
- GROHE SilkMove 35 mm ceramic cartridge
- adjustable flow rate limiter
- adjustable minimum flow rate 2.5 l/min
- with temperature limiter
- GROHE LongLife finish
- GROHE EcoJoy - Less water, perfect flow
- maximum flow rate (at 3 bar): 5 l/min
- GROHE FastFixation installation system with centering support
- mousseur
- retractable chain
- flexible connection hoses
- optional temperature limiter ref. no. 46 375
- noise classification I in accordance with DIN 4109

33 178 20E **EURODISC COSMOPOLITAN BASIN MIXER 1/2"**  
**S-SIZE**



**SPARE PARTS**

- 1: Lever (Spare part-nr. 46738000)
  - 2: Cap (Spare part-nr. 46492000)
  - 3: Screw coupling (Spare part-nr. 46460000)
  - 4: Cartridge (Spare part-nr. 46374000)
  - 5: Laminar flow straightener (Spare part-nr. 13955000)
  - 6: Chain (Spare part-nr. 06815000)
  - 7: Shank mounting kit (Spare part-nr. 46645000)
  - 8: Socket spanner (Spare part-nr. 19332000)\*
  - 9: Mounting wrench (Spare part-nr. 19017000)\*
- \* Optional accessories