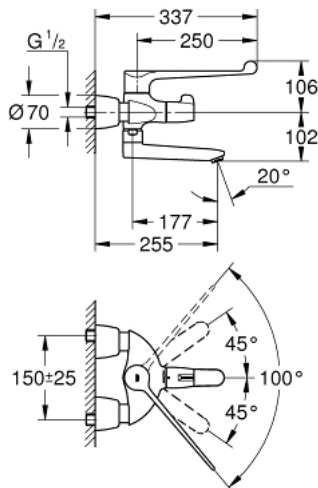


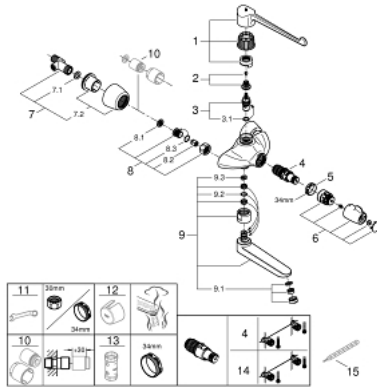
## 34 020 001 GROHTHERM SPECIAL THERMOSTATIC BASIN MIXER 1/2"



### PRODUCT DESCRIPTION

- Tyc: Chrome
- for elbow lever actuation
- wall mounted
- ergonomic metal lever 250 mm for elbow actuation
- swivel area  $100^\circ$
- metal stop
- ceramic headpart 1/2"
- GROHE TurboStat - compact cartridge with wax thermoelement
- GROHE SafetyPlus ergonomic metal temperature handle with pre-adjustable safety stop between  $35^\circ\text{C}$  and  $43^\circ\text{C}$
- easy thermal disinfection by optional temperature unlocking handle 47 994 000
- cast spout with reinforced bearing
- swivel area  $90^\circ$
- lockable
- laminar flow straightener 9 l/min
- built-in non return valves and dirt strainers
- projection 255 mm
- covered S-unions
- lockable
- GROHE LongLife finish

## 34 020 001 GROHTHERM SPECIAL THERMOSTATIC BASIN MIXER 1/2"



### SPARE PARTS

- 1: Lever 250 mm (Spare part-nr. 47410000)
- 2: Replacement handle connection kit (Spare part-nr. 45186000)
- 2.1: O-ring  $\varnothing$  18.2 x  $\varnothing$  1.7 (Spare part-nr. 0392400M)
- 3: Ceramic headpart 1/2" (Spare part-nr. 45346000)
- 3.1: O-ring  $\varnothing$  18.2 x  $\varnothing$  1.7 (Spare part-nr. 0392400M)
- 4: Thermostatic compact cartridge 1/2" (Spare part-nr. 47885000)
- 5: Fitting ring (Spare part-nr. 47743000)
- 6: Temperature control handle (Spare part-nr. 49072000)
- 7: S-union, lockable (Spare part-nr. 12051000)
- 7.1: Seal (Spare part-nr. 0138600M)
- 7.2: Escutcheon (Spare part-nr. 45392000)
- 8: Non-return valve (Spare part-nr. 47189000)
- 8.1: Dirt strainer (Spare part-nr. 0726400M)
- 8.2: Non-return valve (Spare part-nr. 08565000)
- 8.3: O-ring  $\varnothing$  17 x  $\varnothing$  2 (Spare part-nr. 0305500M)
- 9: Cast swivel spout (Spare part-nr. 13138000)
- 9.1: Laminar flow straightener (Spare part-nr. 13960000)
- 9.2: Sealing washer (Spare part-nr. 0128500M)
- 9.3: Stop limiter (Spare part-nr. 0974000M)
- 10: Extension set, 30 mm (Spare part-nr. 46238000)\*
- 11: Special spanner (Spare part-nr. 19377000)\*
- 12: Temperature unlocking handle (Spare part-nr. 47994000)\*
- 13: Socket spanner (Spare part-nr. 19332000)\*
- 14: GROHE TurboStat cartridge 1/2" (Spare part-nr. 47175000)\*
- 15: Adjusting thermometer ( $^{\circ}$ C) (Spare part-nr. 19001000)\*

\* Optional accessories