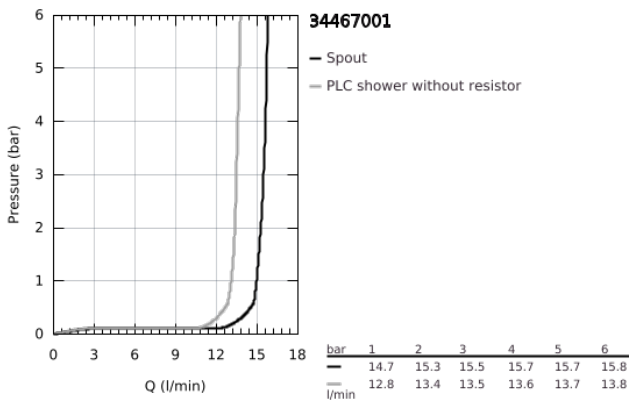
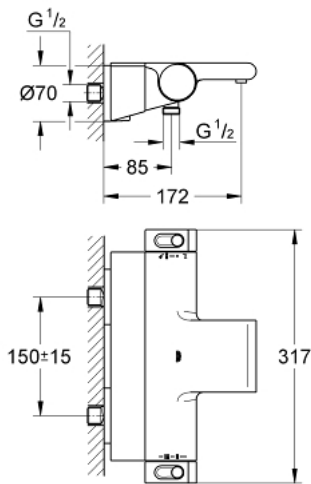


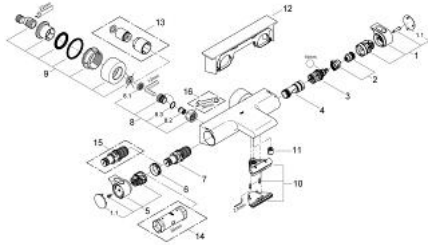
### 34 467 001 GROHTHERM 2000 THERMOSTATIC BATH MIXER 1/2"



#### PRODUCT DESCRIPTION

- Colour: chrome
- wall mounted
- 100% GROHE CoolTouch consisting of safety housing + S-unions with CoolTouch escutcheons
- GROHE LongLife finish
- GROHE Aqua Paddles, ergonomically shaped handles
- GROHE SafeStop - safety button at 38°C
- pre-installed GROHE SafeStop Plus
- GROHE TurboStat - compact cartridge with wax thermoelement
- integrated mixed water shut off
- GROHE AquaDimmer with multiple function:
  - integrated GROHE EcoButton (economy button with economy stop for shower)
- flow control
- diverter: bath/shower
- shower bottom outlet 1/2"
- spray pattern: GROHE XL Waterfall
- flow straightener
- built-in non return valves
- dirt strainers
- protected against backflow
- covered S-unions, CoolTouch escutcheons with wall sealing
- GROHE EasyReach shower tray
- removable for easy cleaning

## 34 467 001 GROHTHERM 2000 THERMOSTATIC BATH MIXER 1/2"



### SPARE PARTS

- 1: Shut-off handle (Spare part-nr. 47923000)
- 1.1: Cover cap (Spare part-nr. 4788300M)
- 2: Temperature limiter (Spare part-nr. 47925000)
- 3: Aquadimmer (Spare part-nr. 12433000)
- 4: Water flow (Spare part-nr. 47751000)
- 5: Temperature control handle (Spare part-nr. 47926000)
- 6: retaining ring (Spare part-nr. 47743000)
- 7: Thermostatic compact cartridge 1/2" (Spare part-nr. 47885000)
- 8: Non-return valve (Spare part-nr. 47189000)
- 8.1: Filter (Spare part-nr. 0726400M)
- 8.2: Non-return valve (Spare part-nr. 08565000)
- 8.3: O-Ring Ø17 x Ø2 (Spare part-nr. 0305500M)
- 9: S-union (Spare part-nr. 12693000)
- 10: Water flow (Spare part-nr. 47924000)
- 11: Non-return valve (Spare part-nr. 47886000)
- 12: GROHE EasyReach shower tray (Spare part-nr. 18608001)
- 13: Extension 30 (Spare part-nr. 46238000)\*
- 14: Socket spanner (Spare part-nr. 19332000)\*
- 15: GROHE TurboStat cartridge 1/2" (Spare part-nr. 47175000)\*
- 16: Special spanner (Spare part-nr. 19377000)\*

\* Optional accessories