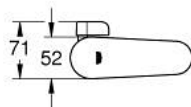
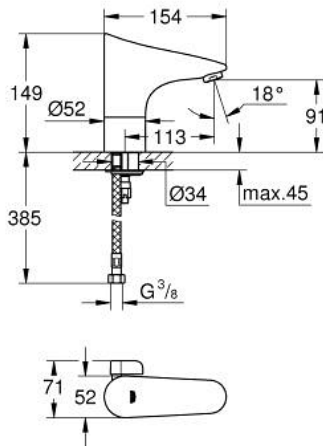
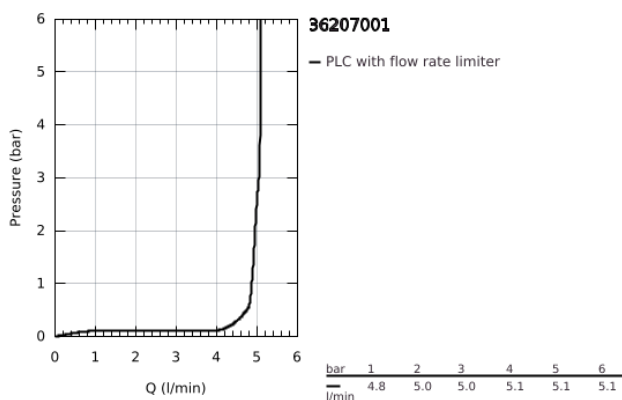


36 207 001 EUROPLUS E INFRA-RED ELECTRONIC BASIN MIXER 1/2" WITH MIXING DEVICE AND ADJUSTABLE TEMPERATURE LIMITER

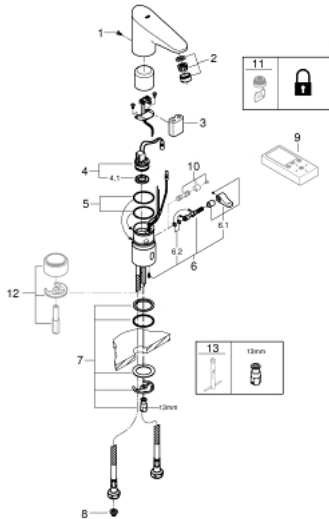


PRODUCT DESCRIPTION

- Colour: chrome
- with infrared sensor for bi-directional communication for monitoring, configuration and servicing
- 6 V lithium battery, type CR-P2
- battery lifetime: approx. 7 years (150 actuations a day)
- GROHE LongLife finish
- GROHE EcoJoy - less water, perfect flow
- maximum flow rate (at 3 bar): 5 l/min
- flexible connection hoses
- non return valve
- dirt strainers
- solenoid valve
- rapid installation system
- multistage battery status display
- 7 pre-set programs:
 - auto flush
 - thermal disinfection
 - cleaning mode
- additional functions and precise settings by remote control 36 407
- CE approved
- noise classification I in accordance with DIN 4109
- type of protection faucet IP 59K
- min. recommended pressure 1.0 bar



36 207 001 EUROPLUS E INFRA-RED ELECTRONIC BASIN MIXER 1/2" WITH MIXING DEVICE AND ADJUSTABLE TEMPERATURE LIMITER



SPARE PARTS

- 1: Screw (Spare part-nr. 4283100M)
 - 2: Mousseur (Spare part-nr. 48159000)
 - 3: Battery (Spare part-nr. 42886000)
 - 4: Solenoid valve (Spare part-nr. 42229000)
 - 4.1: Filter (Spare part-nr. 42798000)
 - 5: Sealing washer (Spare part-nr. 4283600M)
 - 6: Lever (Spare part-nr. 42839000)
 - 6.1: Mixing lever (Spare part-nr. 42838000)
 - 6.2: Sealing washer (Spare part-nr. 4284000M)
 - 7: Fixing set (Spare part-nr. 42841000)
 - 8: Filter (Spare part-nr. 4241300M)
 - 9: Remote control (Spare part-nr. 36407001)*
 - 10: Hidden mixing device (Spare part-nr. 36209000)*
 - 11: Mousseur (Spare part-nr. 36133000)*
 - 12: Socket for spout elevation (Spare part-nr. 36210000)*
 - 13: Mounting wrench (Spare part-nr. 19017000)*
- * Optional accessories