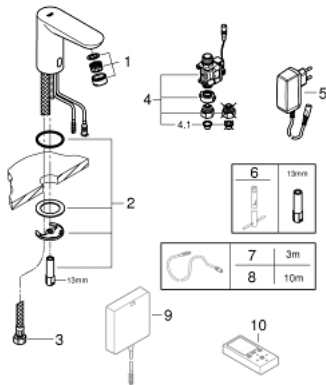




## 36 269 000 EUROSMART COSMOPOLITAN E INFRA-RED ELECTRONIC BASIN TAP 1/2" WITHOUT MIXING DEVICE



### SPARE PARTS

- 1: Mousseur (Spare part-nr. 48159000)
- 2: Shank mounting kit (Spare part-nr. 42389000)
- 3: Connection hose (Spare part-nr. 46255000)
- 4: Solenoid valve (Spare part-nr. 42390000)
- 4.1: Dirt strainer (Spare part-nr. 42395000)
- 5: Mains adaptor (Spare part-nr. 42388000)
- 6: Mounting wrench (Spare part-nr. 19017000)\*
- 7: Power extension cable (Spare part-nr. 36340000)\*
- 8: Power extension cable (Spare part-nr. 36341000)\*
- 9: Switch-mode power supply (Spare part-nr. 36338000)\*
- 10: Remote control (Spare part-nr. 36407001)\*

\* Optional accessories