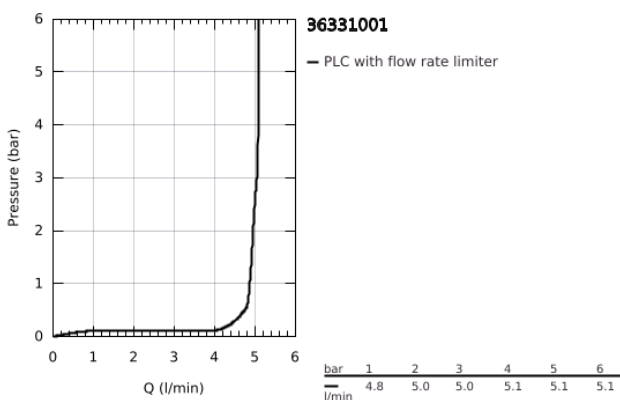
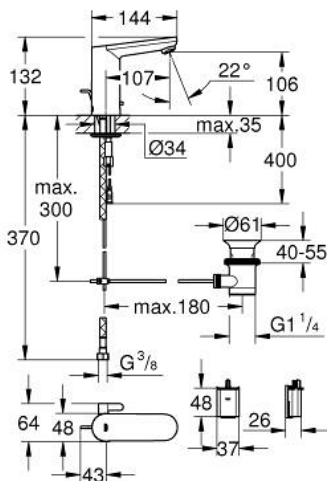


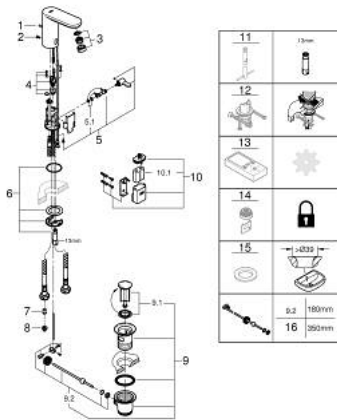
36 331 001 EUROSART COSMOPOLITAN E INFRA-RED ELECTRONIC BASIN MIXER WITH MIXING DEVICE AND ADJUSTABLE TEMPERATURE LIMITER



PRODUCT DESCRIPTION

- Colour: chrome
- with infrared sensor for bi-directional communication for monitoring, configuration and servicing
- 6 V lithium battery, type CR-P2
- battery lifetime: approx. 7 years (150 actuations a day)
- GROHE LongLife finish
- GROHE EcoJoy - less water, perfect flow
- maximum flow rate (at 3 bar): 5 l/min
- pop-up waste set 1 1/4"
- non return valve
- dirt strainers
- with integrated solenoid valve
- external battery
- rapid installation system
- multistage battery status display
- 7 pre-set programs:
 - auto flush
 - thermal disinfection
 - cleaning mode
- additional functions and precise settings by remote control 36 407
- CE approved
- noise classification I in accordance with DIN 4109
- type of protection faucet IP 59K
- min. recommended pressure 1.0 bar

36 331 001 EUROSMART COSMOPOLITAN E INFRA-RED ELECTRONIC BASIN MIXER WITH MIXING DEVICE AND ADJUSTABLE TEMPERATURE LIMITER



SPARE PARTS

- 1: Pop-up rod (Spare part-nr. 46739000)
 - 2: Screw (Spare part-nr. 4283100M)
 - 3: Mousseur (Spare part-nr. 48159000)
 - 4: Solenoid valve (Spare part-nr. 42479000)
 - 5: Mixing lever (Spare part-nr. 42401000)
 - 5.1: Sealing washer (Spare part-nr. 4284000M)
 - 6: Mounting set (Spare part-nr. 42400000)
 - 7: Non-return valve (Spare part-nr. 4257200M)
 - 8: Filter (Spare part-nr. 4241300M)
 - 9: Waste set 1 1/4" (Spare part-nr. 28910000)
 - 9.1: Plug (Spare part-nr. 07182000)
 - 9.2: Eccentric rod (Spare part-nr. 07052000)
 - 10: Battery housing (Spare part-nr. 42393000)
 - 10.1: Battery (Spare part-nr. 42886000)
 - 11: Mounting wrench (Spare part-nr. 19017000)*
 - 12: Rotation lock (Spare part-nr. 36276000)*
 - 13: Remote control (Spare part-nr. 36407001)*
 - 14: Mousseur (Spare part-nr. 36133000)*
 - 15: Hidden mixing device (Spare part-nr. 42408000)*
 - 16: Escutcheon (Spare part-nr. 36370000)*
 - 17: Eccentric rod (Spare part-nr. 07341000)*
- * Optional accessories