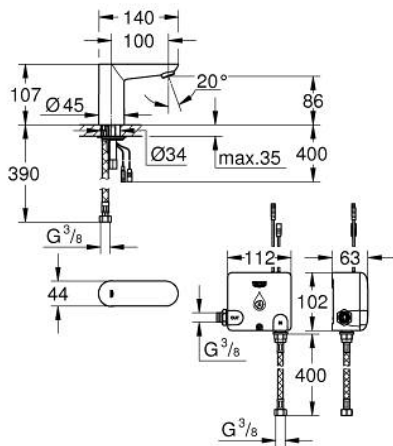
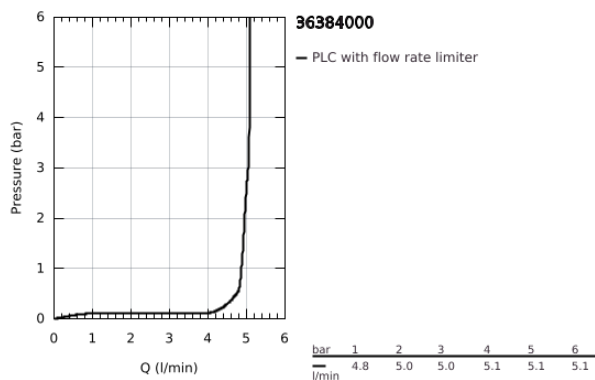


## 36 384 000 EUROECO COSMOPOLITAN E POWERBOX

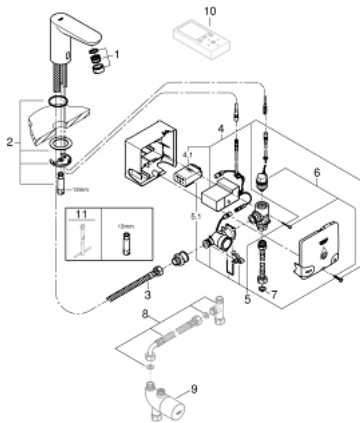


### PRODUCT DESCRIPTION

- Colour: chrome
- infra-red electronic basin tap 1/2" without mixer
- with infrared sensor for bi-directional communication for monitoring, configuration and servicing
- including Powerbox self-generating power system
- GROHE LongLife finish
- GROHE EcoJoy - less water, perfect flow
- maximum flow rate (at 3 bar): 5 l/min
- flexible connection hose
- dirt strainer
- rapid installation system
- Powerbox
  - power generator with water turbine
  - internal energy saving unit
  - with use of 60 s/24 h stand-by, 260 s/100 h stand-by
  - with additional backup power
  - 7 pre-set programs:
    - auto flush
    - thermal disinfection
    - cleaning mode
  - additional functions and precise settings by remote control 36 407
  - CE approved
  - min. recommended pressure 1.0 bar



## 36 384 000 EUROECO COSMOPOLITAN E POWERBOX



### SPARE PARTS

- 1: Mousseur (Spare part-nr. 48159000)
- 2: Shank mounting kit (Spare part-nr. 42389000)
- 3: Connection hose (Spare part-nr. 46255000)
- 4: Electronic (Spare part-nr. 42458000)
- 4.1: Battery housing (Spare part-nr. 42393000)
- 5: Generator (Spare part-nr. 42457000)
- 5.1: Battery housing (Spare part-nr. 42393000)
- 6: Solenoid valve (Spare part-nr. 42456000)
- 7: Filter (Spare part-nr. 4241300M)
- 8: Connection set (Spare part-nr. 47533000)\*
- 9: Thermostatic scalding protection (Spare part-nr. 34487000)\*
- 10: Remote control (Spare part-nr. 36407001)\*
- 11: Mounting wrench (Spare part-nr. 19017000)\*

\* Optional accessories