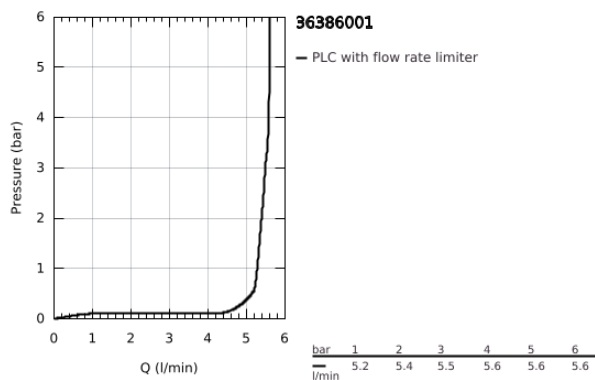
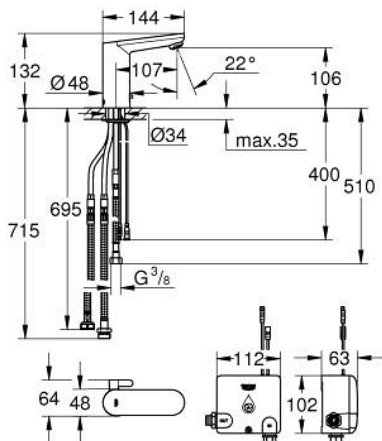


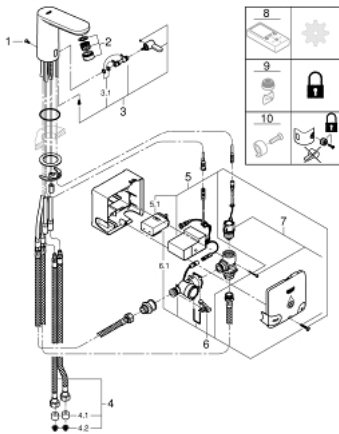
## 36 386 001 EUROSMART COSMOPOLITAN E POWERBOX



### PRODUCT DESCRIPTION

- Colour: chrome
- infra-red electronic basin mixer with mixing device and adjustable temperature limiter
- with infrared sensor for bi-directional communication for monitoring, configuration and servicing
- including Powerbox self-generating power system
- GROHE LongLife finish
- GROHE EcoJoy - less water, perfect flow
- maximum flow rate (at 3 bar): 5.5 l/min
- including all flexible connection hoses
- non return valve
- dirt strainer
- rapid installation system
- Powerbox
- power generator with water turbine
- internal energy saving unit
- with use of 60 s/24 h stand-by, 260 s/100 h stand-by
- with additional backup power
- 7 pre-set programs:
- auto flush
- thermal disinfection
- cleaning mode
- additional functions and precise settings by remote control 36 407
- CE approved
- min. recommended pressure 1.0 bar

## 36 386 001 EUROSMART COSMOPOLITAN E POWERBOX



### SPARE PARTS

- 1: Screw (Spare part-nr. 4283100M)
- 2: Mousseur (Spare part-nr. 42832000)
- 3: Mixing lever (Spare part-nr. 42401000)
- 4: Connection hose (Spare part-nr. 42403000)
- 4.1: Non-return valve (Spare part-nr. 4240400M)
- 4.2: Filter (Spare part-nr. 4241300M)
- 5: Electronic (Spare part-nr. 42458000)
- 5.1: Battery housing (Spare part-nr. 42393000)
- 6: Generator (Spare part-nr. 42457000)
- 6.1: Battery housing (Spare part-nr. 42393000)
- 7: Solenoid valve (Spare part-nr. 42456000)
- 8: Remote control (Spare part-nr. 36407001)\*
- 9: Mousseur (Spare part-nr. 36133000)\*
- 10: Hidden mixing device (Spare part-nr. 42408000)\*

\* Optional accessories