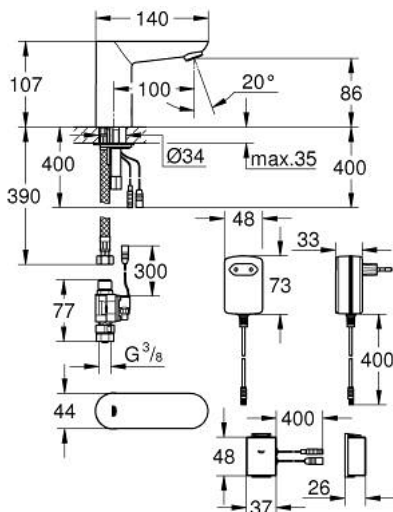


36 409 000 EUROECO COSMOPOLITAN E BLUETOOTH INFRA-RED ELECTRONIC BASIN  
TAP 1/2"  
WITHOUT MIXING DEVICE



**PRODUCT DESCRIPTION** (1/2)

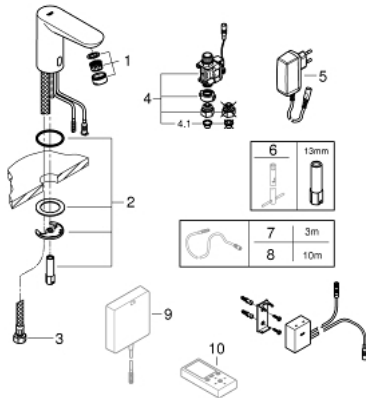
- Tyc: Chrome
- with infrared sensor and Bluetooth module for bi-directional communication for monitoring, configuration and service purpose
- with plug transformer 100-240 V AC, 50-60 Hz, 6.75 V DC
- rapid installation system
- GROHE LongLife finish
- GROHE EcoJoy - Less water, perfect flow
- maximum flow rate (at 3 bar): 5 l/min
- external solenoid valve
- dirt strainer
- with Bluetooth 4.0\* for wireless data communication
- for Apple\*\* and Android devices
- Bluetooth range (max. 10 m) varies depending on used materials and walls between transmitter and receiver
- monitoring
- password protected products
- app detects all Bluetooth products in range
- auto flush cycles and timing last auto flush
- usage per day / 30 days
- thermal disinfection cycles and timings last disinfection
- configuration
- detection range and shut off delay
- thermal disinfection
- auto flush
- cleaning mode
- 2 on/off timers
- identification by name
- service
- send and save 3 profiles
- reset functions
- hard and software version
- CE approved
- noise classification I in accordance with DIN 4109

36 409 000 **EUROECO COSMOPOLITAN E BLUETOOTH INFRA-RED ELECTRONIC BASIN  
TAP 1/2"  
WITHOUT MIXING DEVICE**

**PRODUCT DESCRIPTION** (2/2)

- type of protection faucet IP 59K
- Mobile devices and GROHE IR Remote App\*\*\* are not included in delivery and have to be ordered separately via an authorised Apple store/store/iTunes or Google Play store.
- \* The Bluetooth word mark and logos are registered trademarks owned by Bluetooth SIG, Inc. and any use of such marks by Grohe AG is under license. Other trademarks and trade names are those of their respective owners.
- \*\* Apple, the Apple logo, iPod, iPod Touch, iPhone and iTunes are trademarks of Apple Inc., registered in the U.S. and other countries. Apple is not responsible for the function of this device or its compliance with safety and regulatory standards.
- \*\*\* Available for free via iTunes app or Google Play store.

36 409 000 **EUROECO COSMOPOLITAN E BLUETOOTH INFRA-RED ELECTRONIC BASIN**  
**TAP 1/2"**  
**WITHOUT MIXING DEVICE**



**SPARE PARTS**

- 1: Mousseur (Spare part-nr. 48159000)
- 2: Shank mounting kit (Spare part-nr. 42389000)
- 3: Connection hose (Spare part-nr. 46255000)
- 4: Solenoid valve (Spare part-nr. 42390000)
- 4.1: Dirt strainer (Spare part-nr. 42395000)
- 5: Mains adaptor (Spare part-nr. 42388000)
- 6: Mounting wrench (Spare part-nr. 19017000)\*
- 7: Power extension cable (Spare part-nr. 36340000)\*
- 8: Power extension cable (Spare part-nr. 36341000)\*
- 9: Switch-mode power supply (Spare part-nr. 36338000)\*
- 10: Remote control (Spare part-nr. 36407001)\*

\* Optional accessories