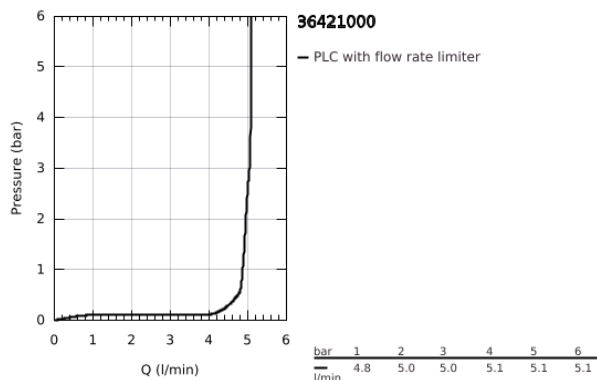
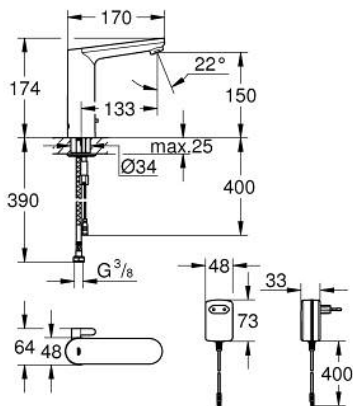


## 36 421 000 EUROSMART COSMOPOLITAN E INFRA-RED ELECTRONIC BASIN MIXER 1/2" L-SIZE WITH MIXING DEVICE AND ADJUSTABLE TEMPERATURE LIMITER

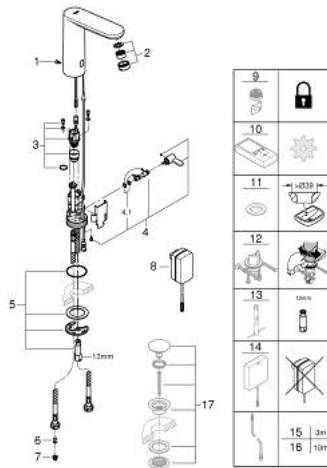


### PRODUCT DESCRIPTION

- Colour: chrome
- with infrared sensor for bi-directional communication for monitoring, configuration and servicing
- with plug transformer 100-230 V AC, 50-60 Hz, 6 V DC
- GROHE LongLife finish
- GROHE EcoJoy mousseur 5.7 l/min
- flexible connection hoses
- non return valve
- dirt strainers
- with integrated solenoid valve
- rapid installation system
- 7 pre-set programs:
  - auto flush
  - thermal disinfection
  - cleaning mode
- additional functions and precise settings by remote control 36 407
- CE approved
- noise classification I in accordance with DIN 4109
- type of protection faucet IP 59K
- min. recommended pressure 1.0 bar



## 36 421 000 EUROSMART COSMOPOLITAN E INFRA-RED ELECTRONIC BASIN MIXER 1/2" L-SIZE WITH MIXING DEVICE AND ADJUSTABLE TEMPERATURE LIMITER



### SPARE PARTS

- 1: Screw (Spare part-nr. 4283100M)
- 2: Mousseur (Spare part-nr. 48159000)
- 3: Solenoid valve (Spare part-nr. 42479000)
- 4: Mixing lever (Spare part-nr. 42401000)
- 4.1: Sealing washer (Spare part-nr. 4284000M)
- 5: Mounting set (Spare part-nr. 42400000)
- 6: Non-return valve (Spare part-nr. 4257200M)
- 7: Filter (Spare part-nr. 4241300M)
- 8: Mains adaptor (Spare part-nr. 42388000)
- 9: Mousseur (Spare part-nr. 36133000)\*
- 10: Remote control (Spare part-nr. 36407001)\*
- 11: Escutcheon (Spare part-nr. 36370000)\*
- 12: Rotation lock (Spare part-nr. 36276000)\*
- 13: Mounting wrench (Spare part-nr. 19017000)\*
- 14: Switch-mode power supply (Spare part-nr. 36338000)\*
- 15: Power extension cable (Spare part-nr. 36340000)\*
- 16: Power extension cable (Spare part-nr. 36341000)\*
- 17: Waste set with push-open plug (Spare part-nr. 65807000)\*

\* Optional accessories