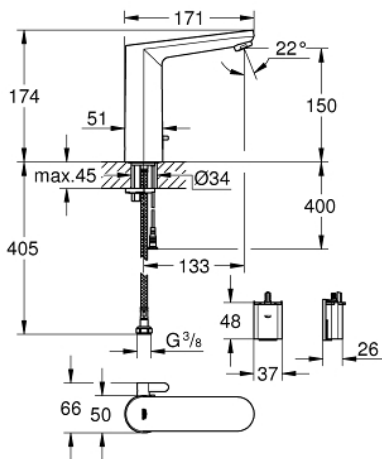
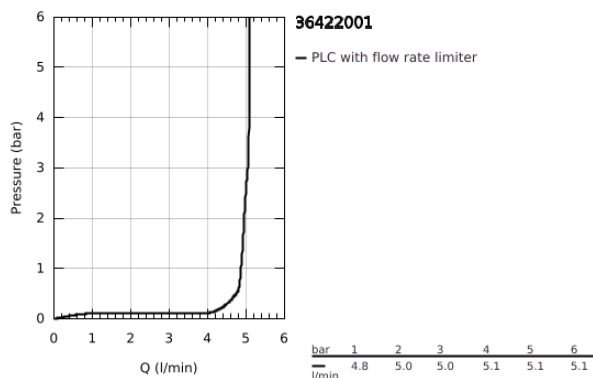


36 422 001 EUROSMART COSMOPOLITAN E INFRA-RED ELECTRONIC BASIN MIXER 1/2" L-SIZE WITH MIXING DEVICE AND ADJUSTABLE TEMPERATURE LIMITER

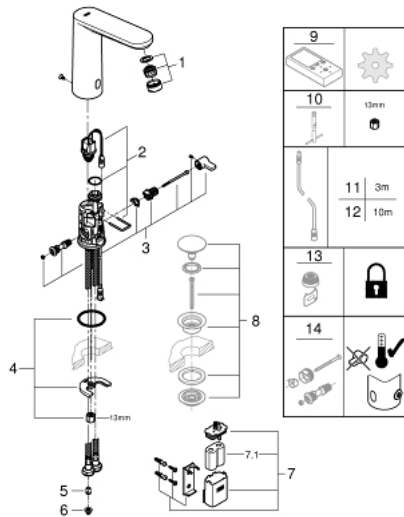


PRODUCT DESCRIPTION

- Colour: chrome
- with infrared sensor for bi-directional communication for monitoring, configuration and servicing
- 6 V lithium battery, type CR-P2
- battery lifetime: approx. 7 years (150 actuations a day)
- GROHE LongLife finish
- GROHE EcoJoy - less water, perfect flow
- maximum flow rate (at 3 bar): 5 l/min
- flexible connection hoses
- non return valve
- dirt strainers
- with integrated solenoid valve
- external battery
- rapid installation system
- multistage battery status display
- 7 pre-set programs:
 - auto flush
 - thermal disinfection
 - cleaning mode
- additional functions and precise settings by remote control 36 407
- CE approved
- noise classification I in accordance with DIN 4109
- type of protection faucet IP 59
- min. recommended pressure 1.0 bar



36 422 001 EUROSMART COSMOPOLITAN E INFRA-RED ELECTRONIC BASIN MIXER 1/2" L-SIZE WITH MIXING DEVICE AND ADJUSTABLE TEMPERATURE LIMITER



SPARE PARTS

- 1: Mousseur (Spare part-nr. 48159000)
 - 2: Solenoid valve (Spare part-nr. 42479000)
 - 3: mixer spindle + lever (Spare part-nr. 42623000)
 - 4: Shank mounting kit (Spare part-nr. 46249000)
 - 5: Non-return valve (Spare part-nr. 4257200M)
 - 6: Filter (Spare part-nr. 4241300M)
 - 7: Battery housing (Spare part-nr. 42393000)
 - 7.1: Battery (Spare part-nr. 42886000)
 - 8: Waste set with push-open plug (Spare part-nr. 65807000)*
 - 9: Remote control (Spare part-nr. 36407001)*
 - 10: Mounting wrench (Spare part-nr. 19017000)*
 - 11: Power extension cable (Spare part-nr. 36340000)*
 - 12: Power extension cable (Spare part-nr. 36341000)*
 - 13: Mousseur (Spare part-nr. 36133000)*
 - 14: cap (Spare part-nr. 42624000)*
- * Optional accessories