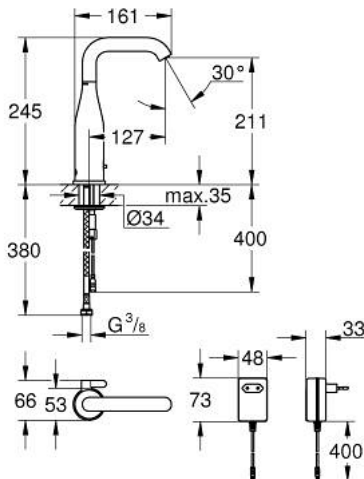


## 36 444 000 ESSENCE E INFRA-RED ELECTRONIC BASIN MIXER 1/2" WITH MIXING DEVICE AND ADJUSTABLE TEMPERATURE LIMITER

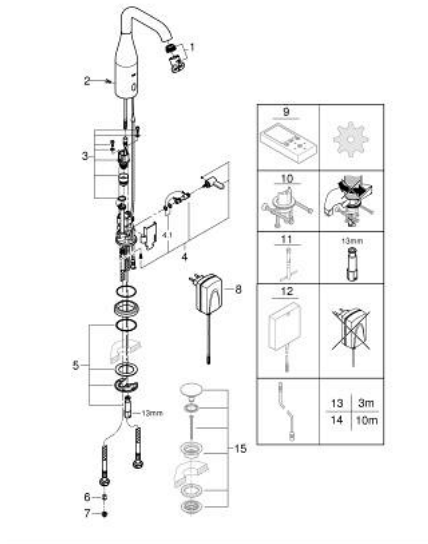


### PRODUCT DESCRIPTION

- Tyc: Chrome
- with infrared sensor for bi-directional communication for monitoring, configuration and servicing
- with plug transformer 100-230 V AC, 50-60 Hz, 6 V DC
- GROHE LongLife finish
- adjustable swivel area 0° / 150° / 360°
- GROHE EcoJoy - Less water, perfect flow
- maximum flow rate (at 3 bar): 5 l/min
- flexible connection hoses
- non return valve
- dirt strainers
- with integrated solenoid valve
- rapid installation system
- 7 pre-set programs:
  - auto flush
  - thermal disinfection
  - cleaning mode
- additional functions and precise settings by remote control 36 407
- CE approved
- noise classification I in accordance with DIN 4109
- type of protection faucet IP 59K
- min. recommended pressure 1.0 bar



## 36 444 000 ESSENCE E INFRA-RED ELECTRONIC BASIN MIXER 1/2" WITH MIXING DEVICE AND ADJUSTABLE TEMPERATURE LIMITER



### SPARE PARTS

- 1: Laminar flow straightener (Spare part-nr. 48376000)
  - 2: Screws (Spare part-nr. 4283100M)
  - 3: Solenoid valve (Spare part-nr. 42479000)
  - 4: Mixing device (Spare part-nr. 42401000)
  - 4.1: Sealing washer (Spare part-nr. 4284000M)
  - 5: Mounting set (Spare part-nr. 42400000)
  - 6: Non-return valve (Spare part-nr. 4257200M)
  - 7: Filter (Spare part-nr. 4241300M)
  - 8: Mains adaptor (Spare part-nr. 42388000)
  - 9: Remote control (Spare part-nr. 36407001)\*
  - 10: Rotation lock (Spare part-nr. 36276000)\*
  - 11: Mounting wrench (Spare part-nr. 19017000)\*
  - 12: Switch-mode power supply (Spare part-nr. 36338000)\*
  - 13: Power extension cable (Spare part-nr. 36340000)\*
  - 14: Power extension cable (Spare part-nr. 36341000)\*
  - 15: Waste set with push-open plug (Spare part-nr. 65807000)\*
- \* Optional accessories