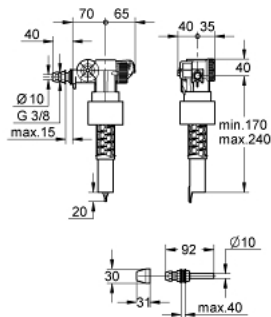


37 092 000 FILLING VALVE

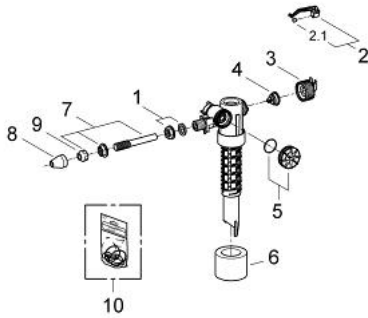


PRODUCT DESCRIPTION

- 3/8"
- universal application
- with adaptor to facilitate installation into an extending narrow cistern
- cap, restrictor
- **) max. shortening 100 mm



37 092 000 FILLING VALVE



SPARE PARTS

- 1: Inlet adaptor (Spare part-nr. 43262000)
- 2: Lever (Spare part-nr. 43734000)
- 2.1: Seal (Spare part-nr. 4377000M)
- 3: Valve head (Spare part-nr. 43536000)
- 4: Membrane (Spare part-nr. 4375800M)
- 5: Screw cap (Spare part-nr. 43735000)
- 6: Valve FLOAT, 5 pcs.. (Spare part-nr. 4379100M)
- 7: Offset compensator (Spare part-nr. 37124000)
- 8: Escutcheon (Spare part-nr. 43234SH0)
- 8: Escutcheon (Spare part-nr. 43234SL0)
- 9: Compression nut (Spare part-nr. 43258000)
- 10: Set of seals (Spare part-nr. 43722000)*

* Optional accessories