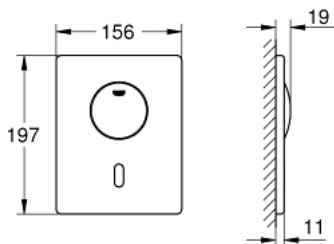


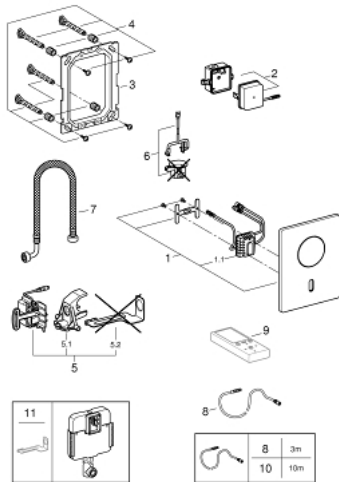
37 419 SD0 TECTRON SKATE INFRA-RED ELECTRONIC FOR WC FLUSHING CISTERN



PRODUCT DESCRIPTION

- Colour: stainless steel
- with additional manual actuation
- with infrared sensor for bi-directional communication for monitoring, configuration and servicing
- with transformer 100-230 V AC, 50-60 Hz, 6 V DC
- for single flush actuation
- for flushing cistern GD 2
- servo motor
- concealed installation
- front plate 156 x 197 mm
- hidden fixing screws
- 7 pre-set programs:
 - auto flush
 - cleaning mode
 - pre-flush on/off
 - additional functions and precise settings by remote control 36 407
 - adjustable flush (3 - 9 l) by hand and remote
- CE approved
- for use with Rapid SLX please order shaft 66 791 000 (sold separately)

37 419 SD0 TECTRON SKATE INFRA-RED ELECTRONIC FOR WC FLUSHING CISTERN



SPARE PARTS

- 1: Top plate with electronic (Spare part-nr. 42440SD0)
 - 1.1: Electronic (Spare part-nr. 42439000)
 - 2: Switching power supply (Spare part-nr. 42470000)
 - 3: Frame (Spare part-nr. 42736000)
 - 4: Fixing set (Spare part-nr. 4215800M)
 - 5: Servo motor (Spare part-nr. 43281000)
 - 5.1: Support device (Spare part-nr. 42246000)
 - 5.2: Motor support device (Spare part-nr. 43617000)
 - 6: Mounting set (Spare part-nr. 43306000)
 - 7: Hose (Spare part-nr. 43307000)
 - 8: Extension cable (Spare part-nr. 36221000)
 - 9: Remote control (Spare part-nr. 36407001)*
 - 10: Extension cable (Spare part-nr. 36222000)*
 - 11: Motor support device (Spare part-nr. 43617000)*
- * Optional accessories