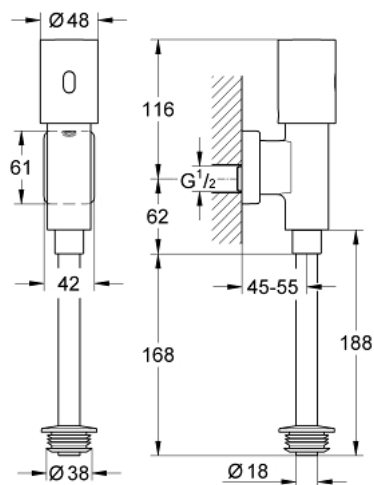


## 37 421 000 TECTRON RONDO INFRA-RED ELECTRONIC FOR URINAL

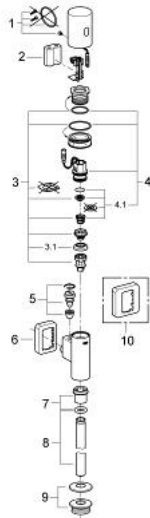


### PRODUCT DESCRIPTION

- Tyc: Chrome
- with infrared sensor for bi-directional communication for monitoring, configuration and servicing
- 6 V lithium battery, type CR-P2
- battery lifetime: approx. 7 years (150 actuations a day)
- GROHE LongLife finish
- metal housing
- exposed installation
- flow pressure min 0.5 bar
- operating pressure max 10 bar
- G 1/2
- with integrated stop valve
- flush pipe with rubber connector
- multistage battery status display
- 7 pre-set programs:
  - auto flush
  - cleaning mode
  - pre-flush on/off
  - additional functions and precise settings by remote control 36 407
  - adjustable flow time by hand or remote
- CE approved



## 37 421 000 TECTRON RONDO INFRA-RED ELECTRONIC FOR URINAL



### SPARE PARTS

- 1: Set of screws (Spare part-nr. 42422000)
  - 2: Battery (Spare part-nr. 42886000)
  - 3: Piston (Spare part-nr. 42797000)
  - 3.1: Sleeve (Spare part-nr. 4376500M)
  - 4: Solenoid valve (Spare part-nr. 42438000)
  - 4.1: Transformer for mirror (Spare part-nr. 43581000)
  - 5: Supply stop (Spare part-nr. 43393000)
  - 6: Escutcheon (Spare part-nr. 66734000)
  - 7: Nut (Spare part-nr. 42344000)
  - 8: Urinal flush pipe (Spare part-nr. 37035000)
  - 9: Adapter for urinal (Spare part-nr. 43818000)
  - 10: Escutcheon (Spare part-nr. 37391000)\*
- \* Optional accessories