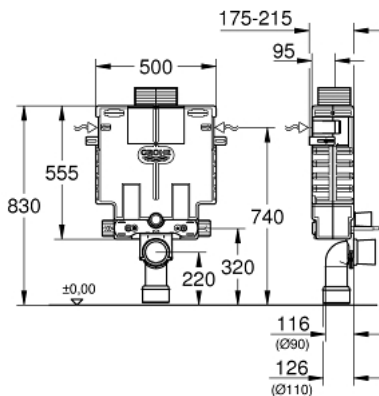


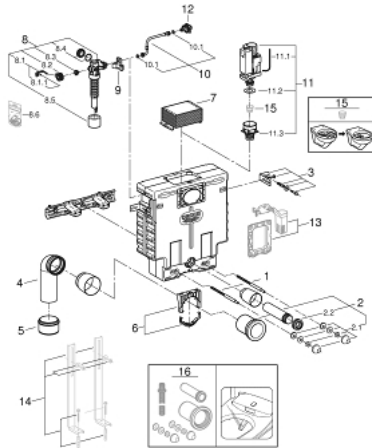
38 415 001 UNISSET ELEMENT FOR WC, 0.82 M INSTALLATION HEIGHT



PRODUCT DESCRIPTION

- with flushing cistern 6 - 9 l
- front or top actuation
- sound-insulating EPS module for masonry-in
- rail adaptors for modular fixing
- for single or rail installation
- wall rail with fixing accessories for single installation
- 2 WC fixing bolts
- distance of fixing bolts 180/230 mm
- fixing device for ceramic
- outlet bend Ø 90 mm
- depth adjustable
- inlet and outlet connecting set
- flushing cistern 6 - 9 l containing the following features:
 - pneumatic discharge valve offering 3 modes of operation: dual flush or start/stop or single flush
 - water supply from left/right or top
 - low noise (group I acc. to German Noise Specification)
 - insulated against condensation
 - 1/2" water supply connection
 - angle valve 1/2"
 - shorable inspection shaft including protection during construction phase
 - preparation for shower toilets with additional accessory 40 899 000 (sold separately)
 - for mounting of small flush plates please order revision shaft 40 950 000 (sold separately)

38 415 001 UNISET ELEMENT FOR WC, 0.82 M INSTALLATION HEIGHT



SPARE PARTS

- 1: Threaded bolt (Spare part-nr. 4276400M)
 - 2: WC inlet and outlet connecting set (Spare part-nr. 37311K00)
 - 2.1: Basin fastening (Spare part-nr. 43511SH0)
 - 2.2: Connector (Spare part-nr. 37119000)
 - 3: Fastening set, complete, 2 pcs. (Spare part-nr. 4276300M)
 - 4: PP-outlet bend Ø 90 mm (Spare part-nr. 42327000)
 - 5: Reducer (Spare part-nr. 42242000)
 - 6: Support for outlet bend (Spare part-nr. 42243000)
 - 7: Inspection shaft for flushing cistern (Spare part-nr. 42326000)
 - 8: Filling valve (Spare part-nr. 37095000)
 - 8.1: Lever (Spare part-nr. 43734000)
 - 8.1.1: Seal (Spare part-nr. 4377000M)
 - 8.2: Valve head (Spare part-nr. 43536000)
 - 8.3: Membrane (Spare part-nr. 4375800M)
 - 8.4: Screw cap (Spare part-nr. 43735000)
 - 8.5: Valve FLOAT, 5 pcs.. (Spare part-nr. 4379100M)
 - 8.6: Set of seals (Spare part-nr. 43722000)*
 - 9: Support device (Spare part-nr. 42195000)
 - 10: Overflow Sleeve (Spare part-nr. 43325000)
 - 10.1: Sealing washer (Spare part-nr. 0319100M)
 - 11: Discharge valve AV1 complete (Spare part-nr. 42314000)
 - 11.1: Pneumatic hose (Spare part-nr. 42319000)
 - 11.2: Seal (Spare part-nr. 42310000)
 - 11.3: Valve seat for GD2 (Spare part-nr. 42315000)
 - 12: Water connection (Spare part-nr. 48561000)*
 - 13: Retrofit set (Spare part-nr. 38796000)*
 - 14: Support feet (Spare part-nr. 37304000)*
 - 15: Flow restrictor (Spare part-nr. 42300000)*
 - 16: Retrofit kit for shower toilets Sensia Arena and Sensia Pro (Spare part-nr. 40899000)*
- * Optional accessories