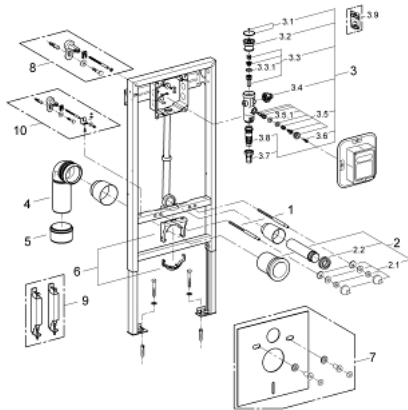


38 519 001 **RAPID SL ELEMENT FOR WC WITH FLUSH VALVE, 1.13 M INSTALLATION HEIGHT**



SPARE PARTS

- 1: Threaded bolt (Spare part-nr. 4276400M)
 - 2: WC inlet and outlet connecting set (Spare part-nr. 37311K00)
 - 2.1: Basin fastening (Spare part-nr. 43511SH0)
 - 2.2: Connector (Spare part-nr. 37119000)
 - 3: Flush valve for WC (Spare part-nr. 37153000)
 - 3.1: Hand wheel (Spare part-nr. 43043000)
 - 3.2: Cover (Spare part-nr. 43122000)
 - 3.3: Piston (Spare part-nr. 43451000)
 - 3.3.1: Sleeve (Spare part-nr. 4376900M)
 - 3.4: Supply stop (Spare part-nr. 43405000)
 - 3.5: Safety valve (Spare part-nr. 43422000)
 - 3.5.1: Membrane (Spare part-nr. 4377300M)
 - 3.6: Operating rod (Spare part-nr. 43067000)
 - 3.7: Discharge Sleeve (Spare part-nr. 43326000)
 - 3.8: Throttle nozzle (Spare part-nr. 43407000)
 - 3.9: Set of seals (Spare part-nr. 43012000)*
 - 4: PP-outlet bend Ø 90 mm (Spare part-nr. 42327000)
 - 5: Reducer (Spare part-nr. 42242000)
 - 6: Support for outlet bend (Spare part-nr. 42243000)
 - 7: Set for noise protection (Spare part-nr. 37131000)*
 - 8: Wall brackets (Spare part-nr. 3855800M)*
 - 9: Accessory (Spare part-nr. 38779000)*
 - 10: Xtra wall brackets, flexible placing (Spare part-nr. 38733000)*
- * Optional accessories