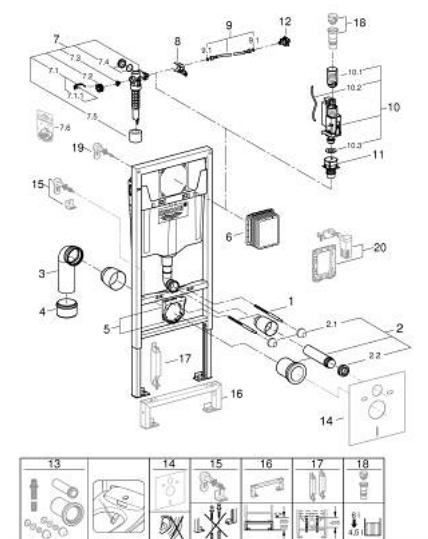




## 38 528 001 RAPID SL ELEMENT FOR WC, 1.13 M INSTALLATION HEIGHT



### SPARE PARTS

- 1: Threaded bolt (Spare part-nr. 4276400M)
  - 2: WC inlet and outlet connecting set (Spare part-nr. 37311K00)
  - 2.1: Basin fastening (Spare part-nr. 43511SH0)
  - 2.2: Connector (Spare part-nr. 37119000)
  - 3: PP-outlet bend  $\varnothing$  90 mm (Spare part-nr. 42327000)
  - 4: Reducer (Spare part-nr. 42242000)
  - 5: Support for outlet bend (Spare part-nr. 42243000)
  - 6: Inspection shaft (Spare part-nr. 66791000)
  - 7: Filling valve (Spare part-nr. 37095000)
  - 7.1: Lever (Spare part-nr. 43734000)
  - 7.1.1: Seal (Spare part-nr. 4377000M)
  - 7.2: Valve head (Spare part-nr. 43536000)
  - 7.3: Membrane (Spare part-nr. 4375800M)
  - 7.4: Screw cap (Spare part-nr. 43735000)
  - 7.5: Valve FLOAT, 5 pcs.. (Spare part-nr. 4379100M)
  - 7.6: Set of seals (Spare part-nr. 43722000)\*
  - 8: Support device (Spare part-nr. 42246000)
  - 9: Connecting hose (Spare part-nr. 42233000)
  - 9.1: Sealing washer (Spare part-nr. 0319100M)
  - 10: Dual Flush discharge valve AV1 (Spare part-nr. 42320000)
  - 10.1: Extension for overflow pipe (Spare part-nr. 42313000)
  - 10.2: Pneumatic hose (Spare part-nr. 42319000)
  - 10.3: Seal (Spare part-nr. 42310000)
  - 11: Valve seat for GD2 (Spare part-nr. 42315000)
  - 12: Water connection (Spare part-nr. 48561000)
  - 13: Retrofit kit for shower toilets Sensia Arena and Sensia Pro (Spare part-nr. 40899000)
  - 14: Set for noise protection (Spare part-nr. 37131000)\*
  - 15: Xtra wall brackets, flexible placing (Spare part-nr. 38733000)\*
  - 16: Extension (Spare part-nr. 38629000)\*
  - 17: Accessory (Spare part-nr. 38779000)\*
  - 18: 4.5 l adapter for GD2 (Spare part-nr. 42333000)\*
  - 19: Wall brackets (Spare part-nr. 3855800M)\*
  - 20: Rapid SL connection set for shower WC (Spare part-nr. 38925000)\*
  - 21: Retrofit set (Spare part-nr. 38796000)\*
- \* Optional accessories