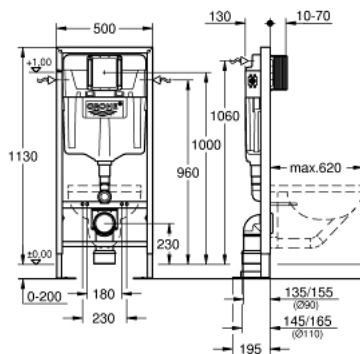


38 584 001 RAPID SL ELEMENT FOR WC, 1.13 M INSTALLATION HEIGHT

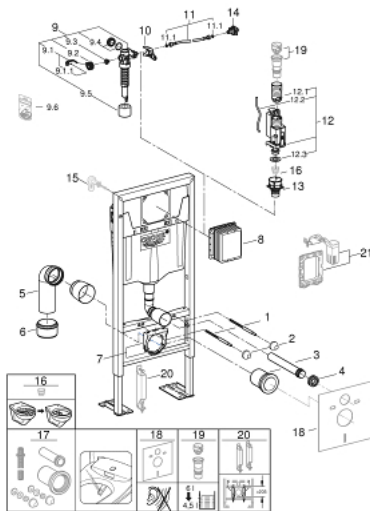


PRODUCT DESCRIPTION

- with flushing cistern GD 2, 6 - 9 l
- for free-standing installation, for on-the-wall installations or studded walls
- powder coated steel frame, self-supporting
- for dry-cladding, completely pre-assembled
- with fixed connections
- lockable
- fixing material
- 2 WC fixing bolts
- fixing device for ceramic
- WC ceramics with small bearing area (less than 205 mm) require additional accessory 38 779 000
- distance of fixing bolts 180/230 mm
- outlet bend Ø 90 mm
- depth adjustable
- reducer Ø 90/110 mm
- inlet and outlet connecting set
- flushing cistern GD 2, 6 - 9 l, containing following features:
 - adjustment ex factory 6 l and 3 l
 - pneumatic discharge valve offering 3 modes of operation: dual flush or start/stop or single flush
 - water supply from left/right or back
 - low noise (group I acc. to German Noise Specification)
 - insulated against condensation
 - 1/2" water supply connection including integrated angle valve and push fit flexible hose union
- no tools required for the installation of the inspection shaft including protection during construction phase
- for vertical or horizontal use
- for on-the-wall installation please order wall brackets 38 558 00M (sold separately)
- for mounting of small flush plates please order revision shaft 40 911 000 (sold separately)



38 584 001 **RAPID SL ELEMENT FOR WC, 1.13 M INSTALLATION HEIGHT**



SPARE PARTS

- 1: Threaded bolt (Spare part-nr. 4276400M)
 - 2: Basin fastening (Spare part-nr. 43511SH0)
 - 3: Wall union (Spare part-nr. 43352000)
 - 4: Connector (Spare part-nr. 37119000)
 - 5: PP-outlet bend Ø 90 mm (Spare part-nr. 42327000)
 - 6: Reducer (Spare part-nr. 42242000)
 - 7: Support for outlet bend (Spare part-nr. 42243000)
 - 8: Inspection shaft (Spare part-nr. 66791000)
 - 9: Filling valve (Spare part-nr. 37095000)
 - 9.1: Lever (Spare part-nr. 43734000)
 - 9.1.1: Seal (Spare part-nr. 4377000M)
 - 9.2: Valve head (Spare part-nr. 43536000)
 - 9.3: Membrane (Spare part-nr. 4375800M)
 - 9.4: Screw cap (Spare part-nr. 43735000)
 - 9.5: Valve float, 5 pcs. (Spare part-nr. 4379100M)
 - 9.6: Set of seals (Spare part-nr. 43722000)*
 - 10: Support device (Spare part-nr. 42246000)
 - 11: Connecting hose (Spare part-nr. 42233000)
 - 11.1: Sealing washer (Spare part-nr. 0319100M)
 - 12: Dual Flush discharge valve AV1 (Spare part-nr. 42320000)
 - 12.1: Extension for overflow pipe (Spare part-nr. 42313000)
 - 12.2: Pneumatic hose (Spare part-nr. 42319000)
 - 12.3: Seal (Spare part-nr. 42310000)
 - 13: Valve seat for GD2 (Spare part-nr. 42315000)
 - 14: Water connection (Spare part-nr. 48561000)
 - 15: Wall brackets (Spare part-nr. 3855800M)*
 - 16: Flow restrictor (Spare part-nr. 42300000)*
 - 17: Retrofit kit for shower toilets Sensia Arena and Sensia Pro (Spare part-nr. 40899000)*
 - 18: Set for noise protection (Spare part-nr. 37131000)*
 - 19: 4.5 l adapter for GD2 (Spare part-nr. 42333000)*
 - 20: Accessory (Spare part-nr. 38779000)*
 - 21: Retrofit set (Spare part-nr. 38796000)*
- * Optional accessories