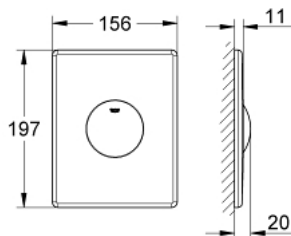


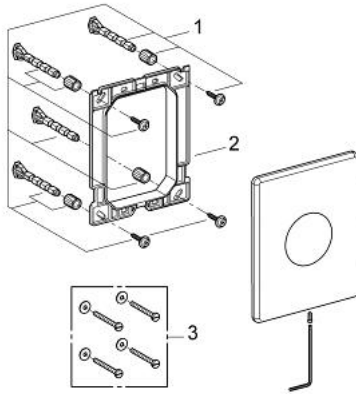
38 672 SD0 SKATE FLUSH PLATE, STAINLESS STEEL

PRODUCT DESCRIPTION

- Typ: stainless steel
- for single flush actuation
- vandal-proof
- for pneumatic discharge valve
- vertical installation
- 156 x 197 mm
- push button actuation
- plastic fixing frame
- hidden fixing screws



38 672 SD0 SKATE FLUSH PLATE, STAINLESS STEEL



SPARE PARTS

- 1: Fixing set (Spare part-nr. 4215800M)
 - 2: Mounting frame (Spare part-nr. 42269000)
 - 3: Fixing set (Spare part-nr. 4308500M)*
- * Optional accessories