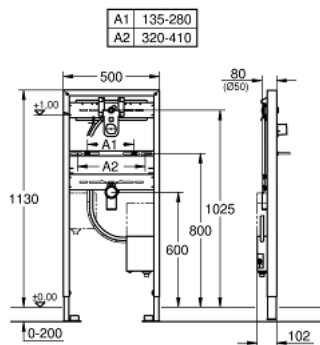


## 38 748 001 RAPID SL FOR WASH BASIN

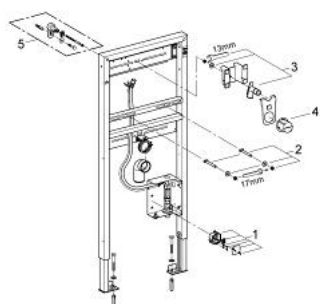


### PRODUCT DESCRIPTION

- for wall mounted fittings
- with roughing-in set for infra-red electronic Europlus E 36 042 SD0, Essence E 36 252 000 and Allure E 36 235 000
- 1.13 m installation height
- for on-the-wall installations or studded walls
- powder coated steel frame
- self-supporting
- for dry-cladding, completely pre-assembled
- quick adjustment, lockable
- fixing material
- wash basin fixing bolts M10 with fixing device for ceramic
- variable distance of fixing bolts
- HT-outlet bend Ø 50 mm
- seal Ø 32 mm
- pre-mounted roughing-in set with protecting block
- fire-proof pipe for laying electronic cables
- installation box with water group, stop valve and flush elbow
- connection with noise protected fitting holder 1/2"
- connecting box for mains supply 230 V
- CE approved
- for installation with pre-mixed or cold water
- without accessories for on-the-wall installation



## 38 748 001 **RAPID SL FOR WASH BASIN**



### **SPARE PARTS**

1: Transformer connecting box (Spare part-nr. 42279000)

2: Threaded bolt (Spare part-nr. 42247000)

3: Fitting connection (Spare part-nr. 42944000)

4: Inspection shaft (Spare part-nr. 42398000)

5: Wall brackets (Spare part-nr. 3855800M)\*

\* Optional accessories