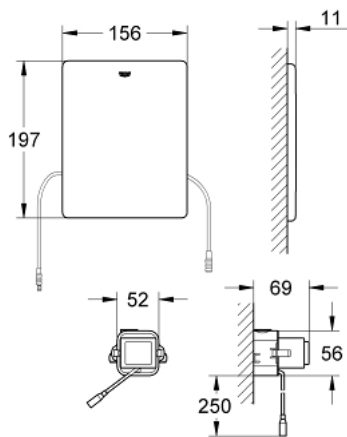


38 759 SD0 RADIO ELECTRONIC

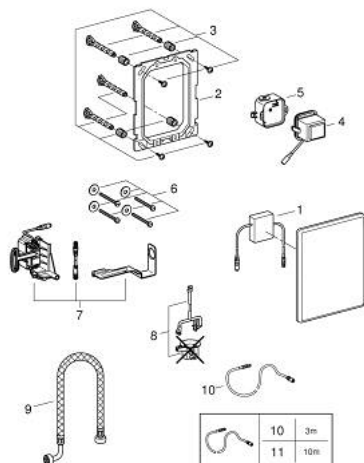


PRODUCT DESCRIPTION

- Tyc: stainless steel
- for WC
- receiver modul 868,4 MHz
- for support rails for the disabled with radio transmitter of Hewi, Keuco, Lehnen, Normbau, Pressalit, Deubad, RUD, Emco, FRELU, FSB, Delabie, PSA, EWAR (Wagner Ewar), TECE, RehaGrip, Sam, Hergert, Fa. Provex
- for flushing cistern GD 2
- for flushing cistern 6 l
- concealed installation
- front plate 156 x 197 mm
- servo motor
- with transformer 100-230 V AC, 50-60 Hz, 6 V DC
- adjustable flush volume
- adjustable flow time
- 72 h flushing can be activated
- with extension cable, 3.00 m length, for connecting transformer and electronic
- CE approved



38 759 SD0 RADIO ELECTRONIC



SPARE PARTS

- 1: Wireless receiver (Spare part-nr. 42336000)
 - 2: Mounting frame (Spare part-nr. 42736000)
 - 3: Fixing set (Spare part-nr. 4215800M)
 - 4: Transformer (Spare part-nr. 42278000)
 - 5: Transformer connecting box (Spare part-nr. 42279000)
 - 6: Fixing set (Spare part-nr. 4308500M)
 - 7: Servo motor (Spare part-nr. 42612000)
 - 8: Pop-up rod for servo motor (Spare part-nr. 43306000)
 - 9: Hose (Spare part-nr. 43307000)
 - 10: Extension cable (Spare part-nr. 36221000)
 - 11: Extension cable (Spare part-nr. 36222000)*
- * Optional accessories