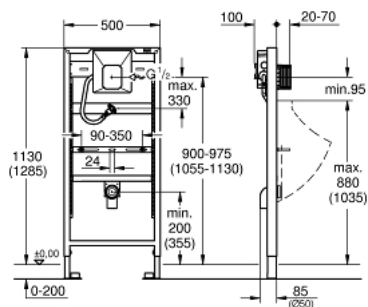


38 786 001 RAPID SL ELEMENT FOR URINAL WITH GROHE RAPIDO U

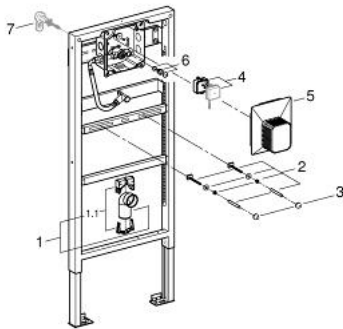


PRODUCT DESCRIPTION

- 1.13 and 1.30 m installation height
- for manual actuation or Tectron infra-red electronic 6 V or 230 V
- for on-the-wall installations or studded walls
- powder coated steel frame, self-supporting
- for dry-cladding, completely pre-assembled
- height adjustable fitting connections
- quick adjustment, lockable
- fixing material
- TÜV approved
- HT-outlet bend Ø 50 mm
- fixing bolts M8, with fixing device for ceramic
- inlet connection and inlet connecting set
- water group with stop valve
- flow pressure min 0.5 bar
- operating pressure max 10 bar
- flush aid
- functional unit checked ex factory
- water supply connections ½" outer thread
- connecting box for mains supply 230 V
- installation box with gasket
- shortable inspection shaft incl. protection during construction phase for flush plates with dimensions 116 x 144 mm
- for on-the-wall installation please order wall brackets 38 558 00M (sold separately)



38 786 001 **RAPID SL ELEMENT FOR URINAL WITH GROHE RAPIDO U**



SPARE PARTS

- 1: Elbow 2" (Spare part-nr. 42943000)
- 1.1: holder (Spare part-nr. 42236000)
- 2: hreaded bolt (Spare part-nr. 43078000)
- 3: Fastening set (Spare part-nr. 4307500M)
- 4: Transformer connecting box (Spare part-nr. 42279000)
- 5: Inspection shaft (Spare part-nr. 66838000)
- 6: Supply stop (Spare part-nr. 43392000)
- 7: Wall brackets (Spare part-nr. 3855800M)*

* Optional accessories