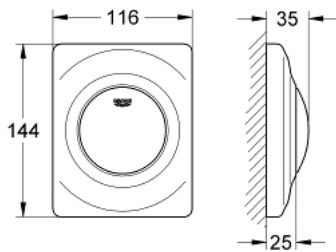


## 38 808 000 SURF ACTUATION PLATE

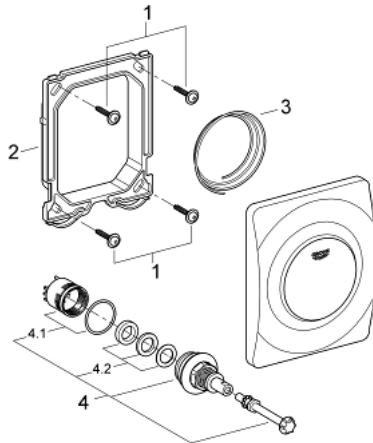


### PRODUCT DESCRIPTION

- Tyc: Chrome
- manual activation for urinal
- set for final installation
- for Rapido U or Rapido UMB
- 116 x 144 mm
- mechanical functional cartridge
- flow pressure min 0.5 bar
- operating pressure max 6 bar
- 1.0 - 6.0 l adjustable
- low noise (group II according to German noise specification)
- GROHE LongLife finish



## 38 808 000 SURF ACTUATION PLATE



### SPARE PARTS

- 1: Screw (Spare part-nr. 6636200M)
- 2: Mounting frame (Spare part-nr. 66845000)
- 3: Spring, 5 pcs. (Spare part-nr. 4309700M)
- 4: Cartridge (Spare part-nr. 42354000)
- 4.1: Seal kit (Spare part-nr. 4271500M)
- 4.2: Rings (Spare part-nr. 4282000M)