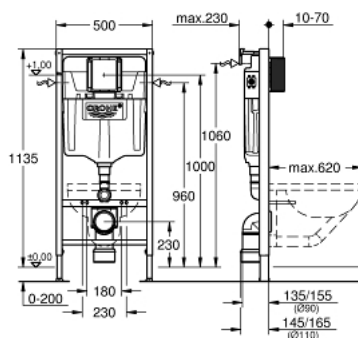


## 38 848 000 RAPID SL ELEMENT FOR WC, 1.13 M INSTALLATION HEIGHT

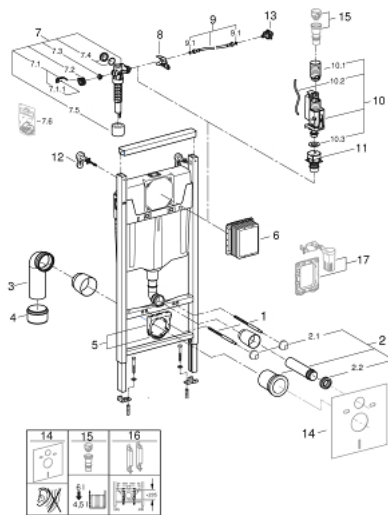


### PRODUCT DESCRIPTION

- with flushing cistern GD 2, 6 - 9 l
- for on-the-wall installations or studded walls
- powder coated steel frame, self-supporting
- for dry-cladding, completely pre-assembled
- with fixed connections
- quick adjustment, lockable
- fixing material
- TÜV approved
- 2 WC fixing bolts
- fixing device for ceramic
- WC ceramics with small bearing area (less than 205 mm) require additional accessory 38 779 000
- distance of fixing bolts 180/230 mm
- outlet bend Ø 80 mm
- depth adjustable
- reducer Ø 80/100 mm
- inlet and outlet connecting set
- flushing cistern GD 2, 6 - 9 l, containing following features:
  - adjustment ex factory 6 l and 3 l
  - pneumatic discharge valve offering 3 modes of operation: dual flush or start/stop or single flush
  - water supply from left/right or back
  - low noise (group I acc. to German Noise Specification)
  - insulated against condensation
  - flexible connecting hose Ø 3/8"
  - no tools required for the installation of the inspection shaft including protection during construction phase
  - for vertical or horizontal use
  - including wall brackets 38 558 00M for on-the-wall installation
  - for mounting of small flush plates please order revision shaft 40 911 000 (sold separately)



## 38 848 000 RAPID SL ELEMENT FOR WC, 1.13 M INSTALLATION HEIGHT



### SPARE PARTS

- 1: Threaded bolt (Spare part-nr. 4276400M)
  - 2: WC inlet and outlet connecting set (Spare part-nr. 37311K00)
  - 2.1: Basin fastening (Spare part-nr. 43511SH0)
  - 2.2: Connector (Spare part-nr. 37119000)
  - 3: PP-outlet bend  $\varnothing$  90 mm (Spare part-nr. 42327000)
  - 4: Reducer (Spare part-nr. 42242000)
  - 5: Support for outlet bend (Spare part-nr. 42243000)
  - 6: Inspection shaft (Spare part-nr. 66791000)
  - 7: Filling valve (Spare part-nr. 37095000)
  - 7.1: Lever (Spare part-nr. 43734000)
  - 7.1.1: Seal (Spare part-nr. 4377000M)
  - 7.2: Valve head (Spare part-nr. 43536000)
  - 7.3: Membrane (Spare part-nr. 4375800M)
  - 7.4: Screw cap (Spare part-nr. 43735000)
  - 7.5: Valve float, 5 pcs. (Spare part-nr. 4379100M)
  - 7.6: Set of seals (Spare part-nr. 43722000)\*
  - 8: Support device (Spare part-nr. 42246000)
  - 9: Connecting hose (Spare part-nr. 42233000)
  - 9.1: Sealing washer (Spare part-nr. 0319100M)
  - 10: Dual Flush discharge valve AV1 (Spare part-nr. 42320000)
  - 10.1: Extension for overflow pipe (Spare part-nr. 42313000)
  - 10.2: Pneumatic hose (Spare part-nr. 42319000)
  - 10.3: Seal (Spare part-nr. 42310000)
  - 11: Valve seat for GD2 (Spare part-nr. 42315000)
  - 12: Wall brackets (Spare part-nr. 3855800M)
  - 13: Water connection (Spare part-nr. 48561000)
  - 14: Set for noise protection (Spare part-nr. 37131000)\*
  - 15: 4.5 l adapter for GD2 (Spare part-nr. 42333000)\*
  - 16: Accessory (Spare part-nr. 38779000)\*
  - 17: Retrofit set (Spare part-nr. 38796000)\*
- \* Optional accessories