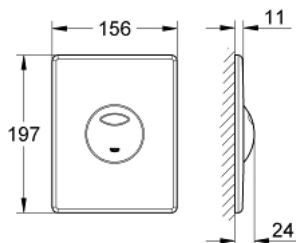


38 862 SH0 SKATE FLUSH PLATE

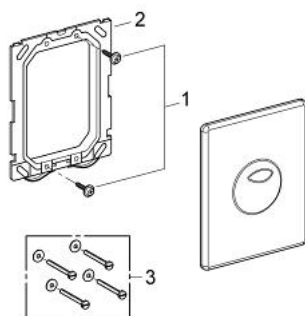


PRODUCT DESCRIPTION

- Colour: alpine white
- for dual flush or start & stop actuation
- for pneumatic discharge valve AV1
- vertical and horizontal installation
- 156 x 197 mm
- material: ABS
- for combination with Rapid SL and Uniset with GD 2 cistern
- for use with Rapid SLX please order shaft 66 791 000 (sold separately)



38 862 SH0 SKATE FLUSH PLATE



SPARE PARTS

1: Screw (Spare part-nr. 6636200M)

2: Frame (Spare part-nr. 43207000)

3: Fixing set (Spare part-nr. 4308500M)*

* Optional accessories