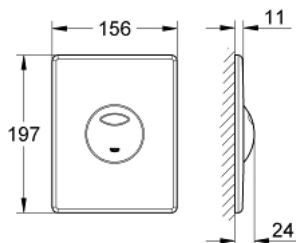


## 38 862 SH0 SKATE FLUSH PLATE

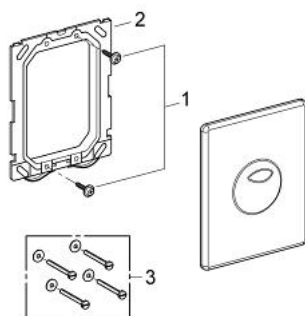


### PRODUCT DESCRIPTION

- Tyc: alpine white
- for dual flush or start & stop actuation
- for pneumatic discharge valve AV1
- vertical and horizontal installation
- 156 x 197 mm
- material: ABS
- GROHE EcoJoy - Less water, perfect flow
- for combination with Rapid SL and Uniset with GD 2 cistern
- for use with Rapid SLX please order shaft 66 791 000 (sold separately)



## 38 862 SH0 SKATE FLUSH PLATE



### SPARE PARTS

- 1: Screw (Spare part-nr. 6636200M)
  - 2: Mounting frame (Spare part-nr. 43207000)
  - 3: Fixing set (Spare part-nr. 4308500M)\*
- \* Optional accessories