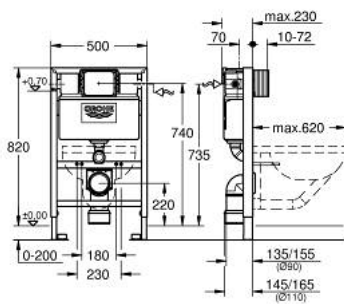


38 948 000 RAPID SL 2-IN-1 SET FOR WC, 0.82 M INSTALLATION HEIGHT

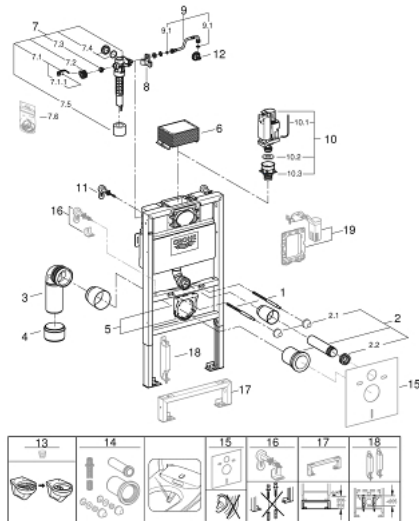


PRODUCT DESCRIPTION

- with flushing cistern 6 - 9 l
- consisting of:
 - Rapid SL element for WC (38 526 000)
 - wall brackets (38 558 00M)



38 948 000 **RAPID SL 2-IN-1 SET FOR WC, 0.82 M INSTALLATION HEIGHT**



SPARE PARTS

- 1: Threaded bolt (Spare part-nr. 4276400M)
 - 2: WC inlet and outlet connecting set (Spare part-nr. 37311K00)
 - 2.1: Basin fastening (Spare part-nr. 43511SH0)
 - 2.2: Connector (Spare part-nr. 37119000)
 - 3: PP-outlet bend \varnothing 90 mm (Spare part-nr. 42327000)
 - 4: Reducer (Spare part-nr. 42242000)
 - 5: Support for outlet bend (Spare part-nr. 42243000)
 - 6: Inspection shaft for flushing cistern (Spare part-nr. 42326000)
 - 7: Filling valve (Spare part-nr. 37095000)
 - 7.1: Lever (Spare part-nr. 43734000)
 - 7.1.1: Seal (Spare part-nr. 4377000M)
 - 7.2: Valve head (Spare part-nr. 43536000)
 - 7.3: Membrane (Spare part-nr. 4375800M)
 - 7.4: Screw cap (Spare part-nr. 43735000)
 - 7.5: Valve float, 5 pcs. (Spare part-nr. 4379100M)
 - 7.6: Set of seals (Spare part-nr. 43722000)*
 - 8: Support device (Spare part-nr. 42195000)
 - 9: Overflow Sleeve (Spare part-nr. 43325000)
 - 9.1: Sealing washer (Spare part-nr. 0319100M)
 - 10: Discharge valve AV1 complete (Spare part-nr. 42314000)
 - 10.1: Pneumatic hose (Spare part-nr. 42319000)
 - 10.2: Seal (Spare part-nr. 42310000)
 - 10.3: Valve seat for GD2 (Spare part-nr. 42315000)
 - 11: Wall brackets (Spare part-nr. 3855800M)
 - 12: Water connection (Spare part-nr. 48561000)
 - 13: Flow restrictor (Spare part-nr. 42300000)*
 - 14: Retrofit kit for shower toilets Sensia Arena and Sensia Pro (Spare part-nr. 40899000)*
 - 15: Set for noise protection (Spare part-nr. 37131000)*
 - 16: Xtra wall brackets, flexible placing (Spare part-nr. 38733000)*
 - 17: Extension (Spare part-nr. 38629000)*
 - 18: Accessory (Spare part-nr. 38779000)*
 - 19: Retrofit set (Spare part-nr. 38796000)*
- * Optional accessories