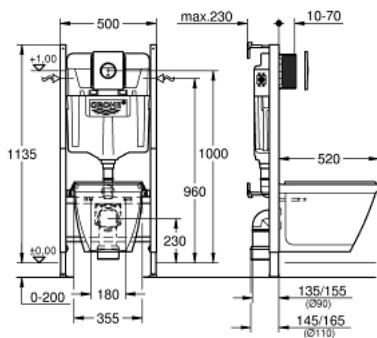


38 973 000 SOLIDO COMPACT SET 4 IN 1 WITH CERAMIC



PRODUCT DESCRIPTION (1/2)

- Colour: chrome
- with flushing cistern GD 2
- 1.13 m installation height
- for on-the-wall installations or studded walls
- powder coated steel frame, self-supporting
- for dry-cladding, completely pre-assembled
- with fixed connections
- quick adjustment, lockable
- fixing material
- TÜV approved
- 2 WC fixing bolts
- fixing device for ceramic
- distance of fixing bolts 180/230 mm
- outlet bend Ø 90 mm
- depth adjustable
- reducer Ø 90/110 mm
- inlet and outlet connecting set
- flushing cistern GD 2
- class 1, full flush 6 l according to EN997
- flushes with 3 l for small flush
- adjustment ex factory 6 l and 3 l
- pneumatic discharge valve offering 3 modes of operation: dual flush or start/stop or single flush
- water supply from left/right or back
- low noise (group I acc. to German Noise Specification)
- insulated against condensation
- angle valve 1/2"
- water inlet with pipe fixation
- no tools required for the installation of the inspection shaft including protection during construction phase
- for vertical or horizontal use
- Wall brackets for on-the-wall installation incl.
- installation on site



Pure Freude
an Wasser

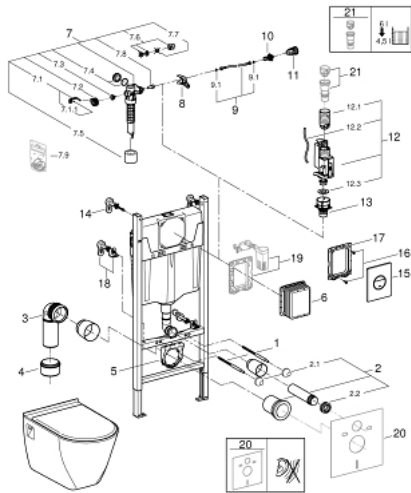


38 973 000 **SOLIDO COMPACT SET 4 IN 1 WITH CERAMIC**

PRODUCT DESCRIPTION (2/2)

- Nova Cosmopolitan flush plate
- vertical and horizontal installation
- 156 x 197 mm
- material: ABS
- chrome
- wall mounted WC, white, WC seat with SoftClose
- including Scandinavian adapter 38 338 000

38 973 000 **SOLIDO COMPACT SET 4 IN 1 WITH CERAMIC**



SPARE PARTS

- 1: Threaded bolt (Spare part-nr. 4276400M)
- 2: WC inlet and outlet connecting set (Spare part-nr. 37311K00)
- 2.1: Basin fastening (Spare part-nr. 43511SH0)
- 2.2: Connector (Spare part-nr. 37119000)
- 3: PP-outlet bend \varnothing 90 mm (Spare part-nr. 42327000)
- 4: Reducer (Spare part-nr. 42242000)
- 5: Support for outlet bend (Spare part-nr. 42243000)
- 6: Inspection shaft (Spare part-nr. 66791000)
- 7: Filling valve (Spare part-nr. 37095000)
- 7.1: Lever (Spare part-nr. 43734000)
- 7.1.1: Seal (Spare part-nr. 4377000M)
- 7.2: Valve head (Spare part-nr. 43536000)
- 7.3: Membrane (Spare part-nr. 4375800M)
- 7.4: Screw cap (Spare part-nr. 43735000)
- 7.5: Valve FLOAT, 5 pcs.. (Spare part-nr. 4379100M)
- 7.6: Set of seals (Spare part-nr. 43722000)*
- 8: Support device (Spare part-nr. 42246000)
- 9: Connecting hose (Spare part-nr. 42397000)
- 9.1: Sealing washer (Spare part-nr. 0319100M)
- 10: Service valve pack 10 (Spare part-nr. 42396000)
- 11: Water supply pipe connector (Spare part-nr. 38338000)
- 12: Dual Flush discharge valve AV1 (Spare part-nr. 42320000)
- 12.1: Extension for overflow pipe (Spare part-nr. 42313000)
- 12.2: Pneumatic hose (Spare part-nr. 42319000)
- 12.3: Seal (Spare part-nr. 42310000)
- 13: Valve seat for GD2 (Spare part-nr. 42315000)
- 14: Wall brackets (Spare part-nr. 3855800M)
- 15: Top plate with push button (Spare part-nr. 42375000)
- 16: Screw (Spare part-nr. 6636200M)
- 17: Frame (Spare part-nr. 43207000)
- 18: Xtra wall brackets, flexible placing (Spare part-nr. 38733000)
- 19: Retrofit set (Spare part-nr. 38796000)*
- 20: Set for noise protection (Spare part-nr. 37131000)*
- 21: 4.5 l adapter for GD2 (Spare part-nr. 42333000)*

* Optional accessories