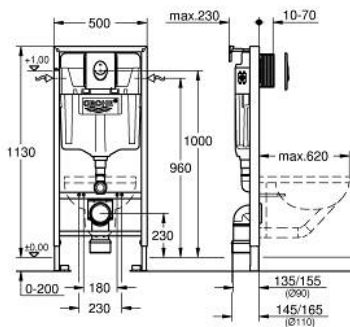


39 108 000 RAPID SL 3-IN-1 SET FOR WC, 1.13 M INSTALLATION HEIGHT

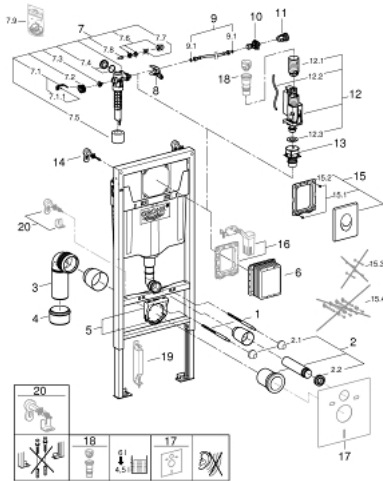


PRODUCT DESCRIPTION

- Tyc: Chrome
- consisting of:
 - Rapid SL element for WC (38 528 001)
 - Skate Air flush plate, chrome, vertical installation (38 505 000)
 - wall brackets (38 558 00M)
 - including Scandinavian adapter 38 338 000



39 108 000 **RAPID SL 3-IN-1 SET FOR WC, 1.13 M INSTALLATION HEIGHT**



SPARE PARTS

- 1: Threaded bolt (Spare part-nr. 4276400M)
 - 2: WC inlet and outlet connecting set (Spare part-nr. 37311K00)
 - 2.1: Basin fastening (Spare part-nr. 43511SH0)
 - 2.2: Connector (Spare part-nr. 37119000)
 - 3: PP-outlet bend \varnothing 90 mm (Spare part-nr. 42327000)
 - 4: Reducer (Spare part-nr. 42242000)
 - 5: Support for outlet bend (Spare part-nr. 42243000)
 - 6: Inspection shaft (Spare part-nr. 66791000)
 - 7: Filling valve (Spare part-nr. 37095000)
 - 7.1: Lever (Spare part-nr. 43734000)
 - 7.1.1: Seal (Spare part-nr. 4377000M)
 - 7.2: Valve head (Spare part-nr. 43536000)
 - 7.3: Membrane (Spare part-nr. 4375800M)
 - 7.4: Screw cap (Spare part-nr. 43735000)
 - 7.5: Valve float, 5 pcs. (Spare part-nr. 4379100M)
 - 7.6: Set of seals (Spare part-nr. 43722000)*
 - 8: Support device (Spare part-nr. 42246000)
 - 9: Connecting hose (Spare part-nr. 42397000)
 - 9.1: Sealing washer (Spare part-nr. 0319100M)
 - 10: Angle valve (Spare part-nr. 42396000)
 - 11: Water supply pipe connector (Spare part-nr. 38338000)
 - 12: Dual Flush discharge valve AV1 (Spare part-nr. 42320000)
 - 12.1: Extension for overflow pipe (Spare part-nr. 42313000)
 - 12.2: Pneumatic hose (Spare part-nr. 42319000)
 - 12.3: Seal (Spare part-nr. 42310000)
 - 13: Valve seat for GD2 (Spare part-nr. 42315000)
 - 14: Wall brackets (Spare part-nr. 3855800M)
 - 15: Flush plate (Spare part-nr. 38505000)
 - 15.1: Screw (Spare part-nr. 6636200M)
 - 15.2: Mounting frame (Spare part-nr. 43207000)
 - 15.3: Fixing set (Spare part-nr. 4308500M)*
 - 15.4: Fixing set (Spare part-nr. 4215800M)*
 - 16: Retrofit set (Spare part-nr. 38796000)*
 - 17: Set for noise protection (Spare part-nr. 37131000)*
 - 18: 4.5 l adapter for GD2 (Spare part-nr. 42333000)*
 - 19: Accessory (Spare part-nr. 38779000)*
 - 20: Xtra wall brackets, flexible placing (Spare part-nr. 38733000)*
- * Optional accessories