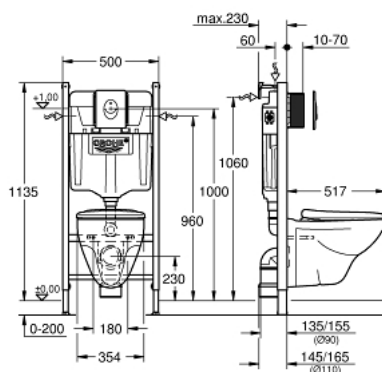


## 39 116 000 SOLIDO COMPACT SET 4 IN 1 WITH CERAMIC



### PRODUCT DESCRIPTION (1/2)

- Typ: alpine white
- with flushing cistern GD 2
- 1.13 m installation height
- for on-the-wall installations or studded walls
- powder coated steel frame, self-supporting
- for dry-cladding, completely pre-assembled
- with fixed connections
- quick adjustment, lockable
- fixing material
- 2 WC fixing bolts
- fixing device for ceramic
- distance of fixing bolts 180/230 mm
- PP outlet bend Ø 90 mm
- depth adjustable
- reducer Ø 90/110 mm
- inlet and outlet connecting set
- flushing cistern GD 2
- class 1, full flush 6 l according to EN997
- flushes with 3 l for small flush
- adjustment ex factory 6 l and 3 l
- pneumatic discharge valve offering 2 modes of operation: dual flush or start/stop
- water supply from left/right or back
- low noise (group I acc. to German Noise Specification)
- insulated against condensation
- 1/2" water supply connection including integrated angle valve and push fit flexible hose union
- no tools required for the installation of the inspection shaft including protection during construction phase
- for vertical or horizontal use
- accessories for on-the-wall installation
- pre-assembled
- including flush plate Skate Air



Pure Freude  
an Wasser

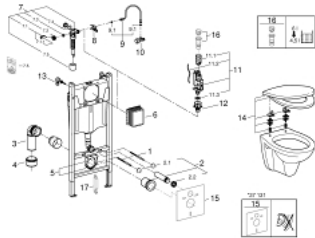


## 39 116 000 **SOLIDO COMPACT SET 4 IN 1 WITH CERAMIC**

### **PRODUCT DESCRIPTION** (2/2)

- vertical and horizontal installation
- 156 x 197 mm
- material: ABS
- white
- wash down WC, 3/6 l
- wall hung
- white
- CE approved
- WC seat and lid with soft close feature
- material: Duroplast

## 39 116 000 **SOLIDO COMPACT SET 4 IN 1 WITH CERAMIC**



### SPARE PARTS

- 1: Threaded bolt (Spare part-nr. 4276400M)
- 2: WC inlet and outlet connecting set (Spare part-nr. 37311K00)
- 2.1: Basin fastening (Spare part-nr. 43511SH0)
- 2.2: Connector (Spare part-nr. 37119000)
- 3: PP-outlet bend Ø 90 mm (Spare part-nr. 42327000)
- 4: Reducer (Spare part-nr. 42242000)
- 5: Support for outlet bend (Spare part-nr. 42243000)
- 6: Inspection shaft (Spare part-nr. 66791000)
- 7: Filling valve (Spare part-nr. 37095000)
- 7.1: Lever (Spare part-nr. 43734000)
- 7.1.1: Seal (Spare part-nr. 4377000M)
- 7.2: Valve head (Spare part-nr. 43536000)
- 7.3: Membrane (Spare part-nr. 4375800M)
- 7.4: Screw cap (Spare part-nr. 43735000)
- 7.5: Valve float, 5 pcs. (Spare part-nr. 4379100M)
- 7.6: Set of seals (Spare part-nr. 43722000)\*
- 8: Support device (Spare part-nr. 42246000)
- 9: Connecting hose (Spare part-nr. 42233000)
- 9.1: Sealing washer (Spare part-nr. 0319100M)
- 10: Angle valve (Spare part-nr. 43821000)
- 11: Dual Flush discharge valve AV1 (Spare part-nr. 42320000)
- 11.1: Extension for overflow pipe (Spare part-nr. 42313000)
- 11.2: Pneumatic hose (Spare part-nr. 42319000)
- 11.3: Seal (Spare part-nr. 42310000)
- 12: Valve seat for GD2 (Spare part-nr. 42315000)
- 13: Wall brackets (Spare part-nr. 3855800M)
- 14: WC seat and lid (Spare part-nr. 42466000)
- 15: Set for noise protection (Spare part-nr. 37131000)\*
- 16: 4.5 l adapter for GD2 (Spare part-nr. 42333000)\*
- 17: Accessory (Spare part-nr. 38779000)\*

\* Optional accessories