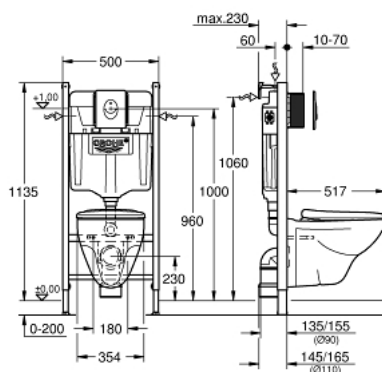


39 117 000 SOLIDO COMPACT SET 4 IN 1 WITH CERAMIC



PRODUCT DESCRIPTION (1/2)

- Colour: alpine white
- with flushing cistern GD 2
- 1.13 m installation height
- for on-the-wall installations or studded walls
- powder coated steel frame, self-supporting
- for dry-cladding, completely pre-assembled
- with fixed connections
- quick adjustment, lockable
- fixing material
- 2 WC fixing bolts
- fixing device for ceramic
- distance of fixing bolts 180/230 mm
- PP outlet bend Ø 90 mm
- depth adjustable
- reducer Ø 90/110 mm
- inlet and outlet connecting set
- flushing cistern GD 2
- class 1, full flush 6 l according to EN997
- flushes with 3 l for small flush
- adjustment ex factory 6 l and 3 l
- pneumatic discharge valve offering 2 modes of operation: dual flush or start/stop
- water supply from left/right or back
- low noise (group I acc. to German Noise Specification)
- insulated against condensation
- 1/2" water supply connection including integrated angle valve and push fit flexible hose union
- no tools required for the installation of the inspection shaft including protection during construction phase
- for vertical or horizontal use
- Wall brackets for on-the-wall installation incl.
- Skate Air flush plate
- vertical and horizontal installation



Pure Freude
an Wasser

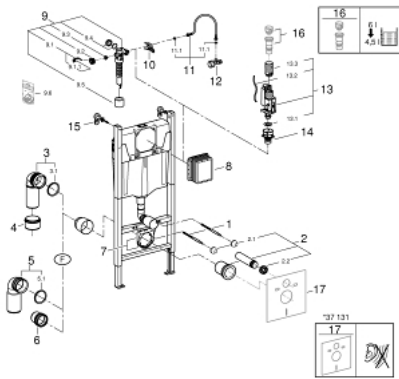


39 117 000 **SOLIDO COMPACT SET 4 IN 1 WITH CERAMIC**

PRODUCT DESCRIPTION (2/2)

- 156 x 197 mm
- material: ABS
- white
- wash down WC, 3/6 l
- wall hung
- white
- CE approved
- WC seat and lid with soft close feature
- material: Duroplast

39 117 000 **SOLIDO COMPACT SET 4 IN 1 WITH CERAMIC**



SPARE PARTS

- 1: Threaded bolt (Spare part-nr. 4276400M)
- 2: WC inlet and outlet connecting set (Spare part-nr. 37311K00)
- 2.1: Basin fastening (Spare part-nr. 43511SH0)
- 2.2: Connector (Spare part-nr. 37119000)
- 3: PP-outlet bend Ø 90 mm (Spare part-nr. 42327000)
- 4: Reducer (Spare part-nr. 42242000)
- 5: PVC waste bend (Spare part-nr. 42216000)
- 5.1: Sealing washer (Spare part-nr. 4207700M)
- 6: Distance pipe 3" (Spare part-nr. 42766000)
- 7: Support for outlet bend (Spare part-nr. 42243000)
- 8: Inspection shaft (Spare part-nr. 66791000)
- 9: Filling valve (Spare part-nr. 37095000)
- 9.1: Lever (Spare part-nr. 43734000)
- 9.1.1: Seal (Spare part-nr. 4377000M)
- 9.2: Valve head (Spare part-nr. 43536000)
- 9.3: Membrane (Spare part-nr. 4375800M)
- 9.4: Screw cap (Spare part-nr. 43735000)
- 9.5: Valve FLOAT, 5 pcs.. (Spare part-nr. 4379100M)
- 9.6: Set of seals (Spare part-nr. 43722000)*
- 10: Support device (Spare part-nr. 42246000)
- 11: Connecting hose (Spare part-nr. 42233000)
- 11.1: Sealing washer (Spare part-nr. 0319100M)
- 12: Service valve pack 10 (Spare part-nr. 43821000)
- 13: Dual Flush discharge valve AV1 (Spare part-nr. 42320000)
- 13.1: Extension for overflow pipe (Spare part-nr. 42313000)
- 13.2: Pneumatic hose (Spare part-nr. 42319000)
- 13.3: Seal (Spare part-nr. 42310000)
- 14: Valve seat for GD2 (Spare part-nr. 42315000)
- 15: Wall brackets (Spare part-nr. 3855800M)
- 16: 4.5 l adapter for GD2 (Spare part-nr. 42333000)*
- 17: Set for noise protection (Spare part-nr. 37131000)*

* Optional accessories