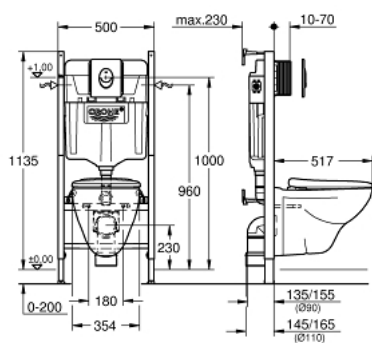


39 190 000 SOLIDO 4-IN-1 SET FOR WC, 1.13 M INSTALLATION HEIGHT

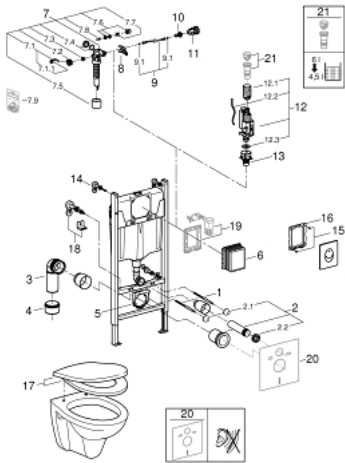


PRODUCT DESCRIPTION

- Tyc: Chrome
- with flushing cistern GD 2
- class 1, full flush 6 l according to EN997
- flushes with 3 l for small flush
- consisting of:
 - Solido Compact element for WC (38 939 000)
 - Perth wall hung WC including seat and lid
 - Start flush plate, chrome, vertical installation (38 964 000)
 - wall brackets (38 558 00M)
 - including Scandinavian adapter 38 338 000



39 190 000 **SOLIDO 4-IN-1 SET FOR WC, 1.13 M INSTALLATION HEIGHT**



SPARE PARTS

- 1: Threaded bolt (Spare part-nr. 4276400M)
- 2: WC inlet and outlet connecting set (Spare part-nr. 37311K00)
- 2.1: Basin fastening (Spare part-nr. 43511SH0)
- 2.2: Connector (Spare part-nr. 37119000)
- 3: PP-outlet bend \varnothing 90 mm (Spare part-nr. 42327000)
- 4: Reducer (Spare part-nr. 42242000)
- 5: Support for outlet bend (Spare part-nr. 42243000)
- 6: Inspection shaft (Spare part-nr. 66791000)
- 7: Filling valve (Spare part-nr. 37095000)
- 7.1: Lever (Spare part-nr. 43734000)
- 7.1.1: Seal (Spare part-nr. 4377000M)
- 7.2: Valve head (Spare part-nr. 43536000)
- 7.3: Membrane (Spare part-nr. 4375800M)
- 7.4: Screw cap (Spare part-nr. 43735000)
- 7.5: Valve float, 5 pcs. (Spare part-nr. 4379100M)
- 7.6: Set of seals (Spare part-nr. 43722000)*
- 8: Support device (Spare part-nr. 42246000)
- 9: Connecting hose (Spare part-nr. 42397000)
- 9.1: Sealing washer (Spare part-nr. 0319100M)
- 10: Angle valve (Spare part-nr. 42396000)
- 11: Water supply pipe connector (Spare part-nr. 38338000)
- 12: Dual Flush discharge valve AV1 (Spare part-nr. 42320000)
- 12.1: Extension for overflow pipe (Spare part-nr. 42313000)
- 12.2: Pneumatic hose (Spare part-nr. 42319000)
- 12.3: Seal (Spare part-nr. 42310000)
- 13: Valve seat for GD2 (Spare part-nr. 42315000)
- 14: Wall brackets (Spare part-nr. 3855800M)
- 15: Screw (Spare part-nr. 6636200M)
- 16: Mounting frame (Spare part-nr. 43207000)
- 17: WC seat and lid (Spare part-nr. 42466000)
- 18: Xtra wall brackets, flexible placing (Spare part-nr. 38733000)
- 19: Retrofit set (Spare part-nr. 38796000)*
- 20: Set for noise protection (Spare part-nr. 37131000)*
- 21: 4.5 l adapter for GD2 (Spare part-nr. 42333000)*

* Optional accessories