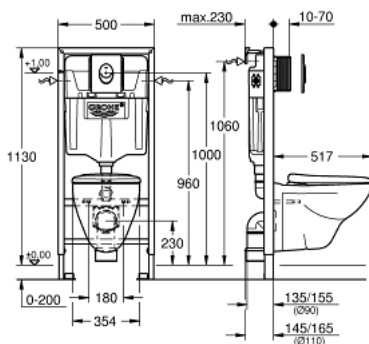


39 192 000 SOLIDO PERFECT SET 4 IN 1 WITH CERAMIC



PRODUCT DESCRIPTION (1/2)

- Tyc: Chrome
- with flushing cistern GD 2
- 1.13 m installation height
- for on-the-wall installations or studded walls
- powder coated steel frame, self-supporting
- for dry-cladding, completely pre-assembled
- with fixed connections
- quick adjustment, lockable
- fixing material
- 2 WC fixing bolts
- fixing device for ceramic
- distance of fixing bolts 180/230 mm
- PP outlet bend Ø 90 mm
- depth adjustable
- reducer Ø 90/110 mm
- inlet and outlet connecting set
- flushing cistern GD 2
- class 1, full flush 6 l according to EN997
- flushes with 3 l for small flush
- adjustment ex factory 6 l and 3 l
- water supply from left/right or back
- pneumatic discharge valve offering 2 modes of operation: dual flush or start/stop
- low noise (group I acc. to German Noise Specification)
- insulated against condensation
- 1/2" water supply connection including integrated angle valve and push fit flexible hose union
- no tools required for the installation of the inspection shaft including protection during construction phase
- for vertical or horizontal use
- accessories for on-the-wall installation
- including flush plate Skate Air
- vertical and horizontal installation



Pure Freude
an Wasser

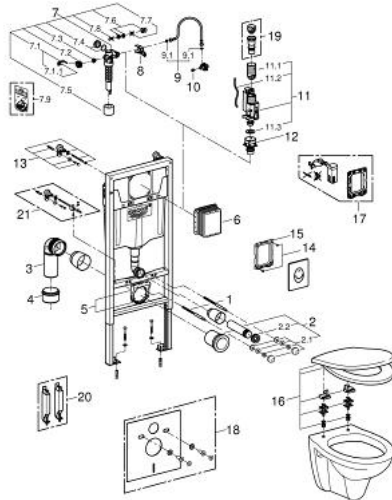


39 192 000 **SOLIDO PERFECT SET 4 IN 1 WITH CERAMIC**

PRODUCT DESCRIPTION (2/2)

- 156 x 197 mm
- material: ABS
- chrome
- wash down WC, 3/6 l
- wall hung
- white
- CE approved
- WC seat and lid with soft close feature
- material: Duroplast

39 192 000 SOLIDO PERFECT SET 4 IN 1 WITH CERAMIC



SPARE PARTS

- 1: Threaded bolt (Spare part-nr. 4276400M)
 - 2: WC inlet and outlet connecting set (Spare part-nr. 37311K00)
 - 2.1: Basin fastening (Spare part-nr. 43511SH0)
 - 2.2: Connector (Spare part-nr. 37119000)
 - 3: PP-outlet bend \varnothing 90 mm (Spare part-nr. 42327000)
 - 4: Reducer (Spare part-nr. 42242000)
 - 5: Support for outlet bend (Spare part-nr. 42243000)
 - 6: Inspection shaft (Spare part-nr. 66791000)
 - 7: Filling valve (Spare part-nr. 37095000)
 - 7.1: Lever (Spare part-nr. 43734000)
 - 7.1.1: Seal (Spare part-nr. 4377000M)
 - 7.2: Valve head (Spare part-nr. 43536000)
 - 7.3: Membrane (Spare part-nr. 4375800M)
 - 7.4: Screw cap (Spare part-nr. 43735000)
 - 7.5: Valve float, 5 pcs. (Spare part-nr. 4379100M)
 - 7.6: Set of seals (Spare part-nr. 43722000)*
 - 8: Support device (Spare part-nr. 42246000)
 - 9: Connecting hose (Spare part-nr. 42233000)
 - 9.1: Sealing washer (Spare part-nr. 0319100M)
 - 10: Headpart (Spare part-nr. 42385000)
 - 11: Dual Flush discharge valve AV1 (Spare part-nr. 42320000)
 - 11.1: Extension for overflow pipe (Spare part-nr. 42313000)
 - 11.2: Pneumatic hose (Spare part-nr. 42319000)
 - 11.3: Seal (Spare part-nr. 42310000)
 - 12: Valve seat for GD2 (Spare part-nr. 42315000)
 - 13: Wall brackets (Spare part-nr. 3855800M)
 - 14: Screw (Spare part-nr. 6636200M)
 - 15: Mounting frame (Spare part-nr. 43207000)
 - 16: WC seat and lid (Spare part-nr. 42466000)
 - 17: Retrofit set (Spare part-nr. 38796000)*
 - 18: Set for noise protection (Spare part-nr. 37131000)*
 - 19: 4.5 l adapter for GD2 (Spare part-nr. 42333000)*
 - 20: Accessory (Spare part-nr. 38779000)*
 - 21: Xtra wall brackets, flexible placing (Spare part-nr. 38733000)*
- * Optional accessories