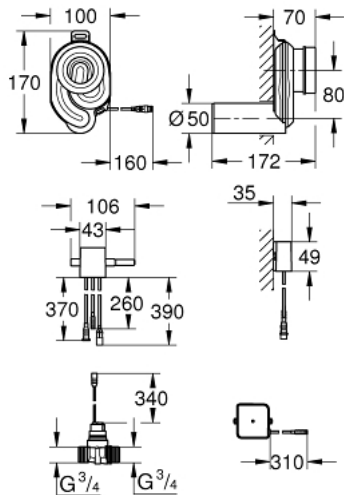


39 368 000 TEMPERATURE SENSOR FOR URINAL



PRODUCT DESCRIPTION

- with transformer 100-240 V AC, 50-60 Hz, 6.75 V DC
- for use with Rapid SL 39 376 000
- siphon with temperature sensor
- cartridge with solenoid valve and dirt strainer
- flow pressure min 0.5 bar
- operating pressure max 10 bar
- 7 pre-set programs:
 - auto flush
 - cleaning mode
 - pre-flush on/off
- CE approved



39 368 000 TEMPERATURE SENSOR FOR URINAL

SPARE PARTS

- 1: Solenoid valve complete (Spare part-nr. 42740000)
- 2: Waste trap (Spare part-nr. 42477000)
- 3: Electronic (Spare part-nr. 42478000)
- 4: Switching power supply (Spare part-nr. 42470000)

