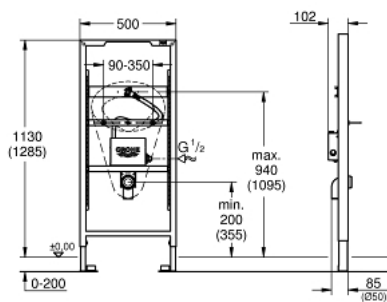


39 376 000 RAPID SL ELEMENT FOR URINAL WITH TEMPERATURE SENSOR



PRODUCT DESCRIPTION

- with roughing-in set for T sensor
- 1.13 and 1.30 m installation height
- for on-the-wall installations or studed walls
- powder coated steel frame, self-supporting
- for dry-cladding, completely pre-assembled
- height adjustable fitting connections
- quick adjustment, lockable
- fixing material
- TÜV approved
- HT-outlet bend Ø 50 mm
- fixing bolts M8, with fixing device for ceramic
- inlet connection and inlet connecting set
- box for concealed installation including roughing-in box
- water group with stop valve and flush elbow
- for T sensor electronic please order installation set 39 368 000 or 39 369 000 (sold separately)
- for on-the-wall installation please order wall brackets 38 558 00M (sold separately)



39 376 000 **RAPID SL ELEMENT FOR URINAL WITH TEMPERATURE SENSOR**

SPARE PARTS

1: Elbow 2" (Spare part-nr. 42943000)

1.1: holder (Spare part-nr. 42236000)

2: Switching power supply (Spare part-nr. 42470000)

3: Fastening set (Spare part-nr. 4307500M)

4: hreaded bolt (Spare part-nr. 43078000)

5: Lip seal (Spare part-nr. 4387500M)

6: Wall brackets (Spare part-nr. 3855800M)

