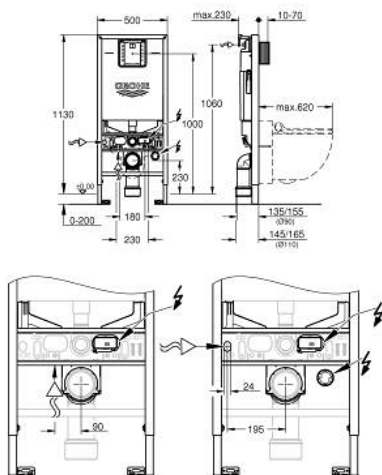


## 39 598 000 RAPID SLX 3-IN-1 SET FOR WC, 1.13 M INSTALLATION HEIGHT

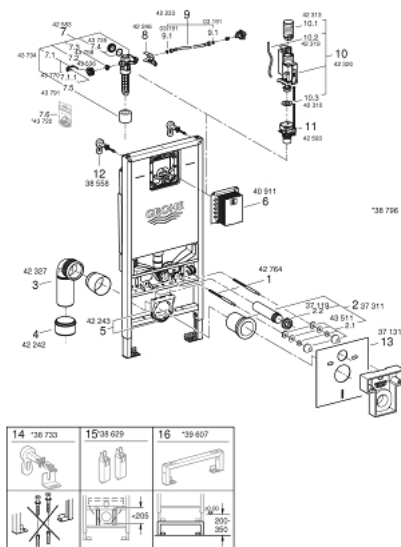


### PRODUCT DESCRIPTION

- with flushing cistern GDX, 6 l
- consisting of:
  - Rapid SLX element for WC (39 596 000) with integrated power socket
  - wall brackets (38 558 00M)
  - noise protection (37 131 000)
  - including flow manager
- for mounting of flush plates 156 x 197 mm please order revision shaft 66 791 000 (sold separately)



## 39 598 000 RAPID SLX 3-IN-1 SET FOR WC, 1.13 M INSTALLATION HEIGHT



### SPARE PARTS

- 1: Threaded bolt (Spare part-nr. 4276400M)
- 2: WC inlet and outlet connecting set (Spare part-nr. 37311K00)
- 2.1: Basin fastening (Spare part-nr. 43511SH0)
- 2.2: Connector (Spare part-nr. 37119000)
- 3: PP-outlet bend  $\varnothing$  90 mm (Spare part-nr. 42327000)
- 4: Reducer (Spare part-nr. 42242000)
- 5: Support for outlet bend (Spare part-nr. 42243000)
- 6: Revision shaft for small flush plates (Spare part-nr. 40911000)
- 7: Filling valve (Spare part-nr. 42583000)
- 7.1: Lever (Spare part-nr. 43734000)
- 7.1.1: Seal (Spare part-nr. 4377000M)
- 7.2: Valve head (Spare part-nr. 43536000)
- 7.3: Membrane (Spare part-nr. 4375800M)
- 7.4: Screw cap (Spare part-nr. 43735000)
- 7.5: Valve FLOAT, 5 pcs.. (Spare part-nr. 4379100M)
- 7.6: Set of seals (Spare part-nr. 43722000)\*
- 8: Support device (Spare part-nr. 42246000)
- 9: Connecting hose (Spare part-nr. 42233000)
- 9.1: Sealing washer (Spare part-nr. 0319100M)
- 10: Dual Flush discharge valve AV1 (Spare part-nr. 42320000)
- 10.1: Extension for overflow pipe (Spare part-nr. 42313000)
- 10.2: Pneumatic hose (Spare part-nr. 42319000)
- 10.3: Seal (Spare part-nr. 42310000)
- 11: Valve seat (Spare part-nr. 42593000)
- 12: Wall brackets (Spare part-nr. 38558000)
- 13: Set for noise protection (Spare part-nr. 37131000)
- 14: Xtra wall brackets, flexible placing (Spare part-nr. 38733000)\*
- 15: Extension (Spare part-nr. 38629000)\*
- 16: Accessory (Spare part-nr. 39607000)\*

\* Optional accessories