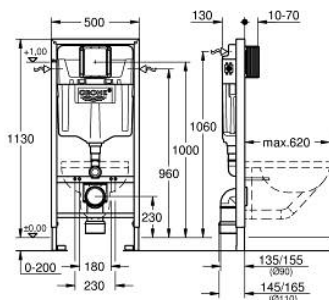


39 863 000 RAPID SL ELEMENT FOR WC, 1.13 M INSTALLATION HEIGHT



PRODUCT DESCRIPTION (1/2)

- with flushing cistern GD 2, 6 - 9 l
- including flow manager
- for on-the-wall installations or studded walls
- powder coated steel frame, self-supporting
- for dry-cladding, completely pre-assembled
- with fixed connections
- quick adjustment, lockable
- fixing material
- TÜV approved
- 2 WC fixing bolts
- fixing device for ceramic
- WC ceramics with small bearing area (less than 205 mm) require additional accessory 38 779 000
- distance of fixing bolts 180/230 mm
- outlet bend Ø 90 mm
- depth adjustable
- reducer Ø 90/110 mm
- inlet and outlet connecting set
- flushing cistern GD 2, 6 - 9 l, containing following features:
 - adjustment ex factory 6 l and 3 l
 - pneumatic discharge valve offering 3 modes of operation: dual flush or start/stop or single flush
 - water supply from left/right or back
 - low noise (group I acc. to German Noise Specification)
 - insulated against condensation
- 1/2" water supply connection including integrated angle valve and push fit flexible hose union
- no tools required for the installation of the inspection shaft including protection during construction phase
- for vertical or horizontal use
- for on-the-wall installation please order wall brackets 38 558 00M (sold separately)

Pure Freude
an Wasser



39 863 000 **RAPID SL ELEMENT FOR WC, 1.13 M INSTALLATION HEIGHT**

PRODUCT DESCRIPTION (2/2)

- for mounting of small flush plates please order revision shaft 40 911 000 (sold separately)